

*Maintenance Manual*

# **Extensa™ 660 Series Notebook Computers**

9813214-0001, Rev. A

February 1997



**Copyright © 1996, 1997 Texas Instruments  
All Rights Reserved**

**Extensa™ 660 Series Notebook Computers  
Maintenance Manual  
TI Part No. 9813214-0001, Rev. A**

**Original Issue: December 1996**

**Revision A: February 1997**

Changes may be made periodically to the information in this publication. Such changes will be incorporated in new editions of this manual.

No part of this publication may be reproduced, stored in a retrieval system, or transmitted, in any form or by any means, electronic, mechanical, photocopy, recording, or otherwise, without the prior written permission of Texas Instruments.

The equipment, as well as the programs that TI has created to use with them, are tools that can help people better manage the information used in their business; but tools — including TI products — cannot replace sound judgement nor make the manager's business decisions.

Consequently, TI cannot warrant that its products are suitable for any specific customer application. The manager must rely on judgement of what is best for his or her business.

Address all correspondence regarding orders to:

**Texas Instruments  
P.O. Box 6102, M/S 3255  
Temple, Texas 76503**

---

Extensa and livegear are trademarks of Texas Instruments. The icons in the Windows Notebook and Startup groups are copyrighted by Texas Instruments.  
Kensington is a registered trademark of Kensington Microware Ltd.  
PS/2 is a registered trademark of International Business Machines Corporation.  
Microsoft, Windows and MS-DOS are registered trademarks of Microsoft Corporation.  
Intel and Pentium are registered trademarks of Intel Corporation.  
Ethernet is a registered trademark of Xerox Corporation.  
IRDA is a trademark of Infra Red Data Association.  
Sound Blaster is a trademark of Creative Technology, Ltd.  
SimulSCAN is a trademark of Cirrus Logic, Inc.  
Audio Rack is a trademark of ESS Technology, Inc.  
Phillips is a registered trademark of Phillips Screw Company.  
IBM is a registered trademark of International Business Machines Corporation.  
SCSI is a registered trademark of Security Control Systems, Inc.  
Synaptics is a registered trademark of Synaptics, Inc.

---

## Introduction

This manual provides installation, operation and servicing data for the Extensa™ 660 Series Notebook Computers.

## Intended Audience

This manual is primarily intended for use by qualified service technicians but contains information useful to non-technical users.

## Contents

This manual contains six sections and one appendix that are common to all Extensa 660 Series Notebook Computers (differences described as they are covered):

- ◆ **Section 1: General Description** - Introduces the main features of the Extensa 660 Series Notebook Computers; identifies all options, provides physical and electrical specifications.
- ◆ **Section 2: Installation** - Describes how to unpack, install options and begin using the notebook.
- ◆ **Section 3: Operating Instructions** - Describes the notebook computer operating controls and indicators and basic operating procedures required to support maintenance operations.
- ◆ **Section 4: Theory of Operation** - Provides a block diagram level theory of operation for the Extensa Series Notebooks.
- ◆ **Section 5: Troubleshooting Procedures** - Provides troubleshooting procedures for the notebook computer series.
- ◆ **Section 6: Field Service** - Provides preventive and corrective maintenance procedures for the notebook computer series including FRU removal/replacement procedures.
- ◆ **Appendix A: Schematic Diagrams** - Provides schematic diagrams for the Extensa 660 Series Notebook Computer.

---

## Other Manuals About the System

The following documents provide additional information related to the Extensa Notebook Computer Series:

- ◆ *Extensa Series Notebook Computers Users Guide* - Contains user reference information for the Extensa 660 Series Notebook Computers.
- ◆ *PC-Doctor Help and Technical Reference* (online)

## Ordering Parts and Supplies

To order a copy of any TI publication or to order option kits, spare parts or supplies for your system, contact your TI reseller:

Telephone Toll-free: **1-800-TI TEXAS.**

# Contents

---

Paragraph	Page
<b>Preface</b>	
Introduction - - - - -	vii
Intended Audience - - - - -	vii
Contents- - - - -	vii
Other Manuals About the System - - - - -	viii
Ordering Parts and Supplies - - - - -	viii
<b>Section 1 General Description</b>	
Introduction - - - - -	1-1
Product Overview - - - - -	1-2
Extensa 660 Series Notebook Features - - - - -	1-2
Video Display Features - - - - -	1-5
Internal LCD - - - - -	1-6
External CRTs - - - - -	1-6
Display Hot Key Sequences - - - - -	1-6
Keyboard Features - - - - -	1-7
Software Features - - - - -	1-8
Standard Peripheral Devices - - - - -	1-9
660 Series Connectivity Features - - - - -	1-9
Expansion Capabilities - - - - -	1-10
Advanced PCI Card Options - - - - -	1-11
PCMCIA Card Options - - - - -	1-11
Notebook Batteries - - - - -	1-12
Determining Battery Charge Level - - - - -	1-12
External Battery Charger Option - - - - -	1-13
Standard Test Features - - - - -	1-13
Power On Self Test - - - - -	1-13
PC-Doctor Diagnostics Program - - - - -	1-13
Extensa 660 Series Specifications - - - - -	1-15
Regulatory Agency Approvals - - - - -	1-18
<b>Section 2 Installation</b>	
Introduction - - - - -	2-1
Unpacking Instructions - - - - -	2-1
Installing Internal Notebook Options - - - - -	2-2
Installing Main Memory Expansion (Optional) - - - - -	2-2
Setting Up the Software - - - - -	2-3
Installing Advanced PCI Option Card - - - - -	2-4
Installing PCMCIA Options - - - - -	2-5

---

# Contents (continued)

Paragraph	Page
<b>Section 2 Installation (continued)</b>	
Installing External Notebook Options - - - - -	2-7
Installing Ext. Keyboard/Mouse/Numeric Keypad - - - - -	2-7
Installing an External Parallel Printer - - - - -	2-8
Installing an External Serial Port Device - - - - -	2-9
Installing an External VGA Monitor - - - - -	2-10
Battery Pack Installation - - - - -	2-11
Installing the AC Power Adapter - - - - -	2-12
Initial Software Load - - - - -	2-12
Backing Up System Files - - - - -	2-14
Demo Program - - - - -	2-14
Stopping the Demo Program - - - - -	2-14
Running the Demo Again - - - - -	2-14
Deleting the Demo Program - - - - -	2-14
Initial System Checkout - - - - -	2-15
<b>Section 3 Operating Instructions</b>	
Introduction - - - - -	3-1
Controls/Indicators - - - - -	3-1
Power On/Off Switch - - - - -	3-2
Notebook LEDs - - - - -	3-2
LED Icons - - - - -	3-2
Keyboard Hot Key Sequences - - - - -	3-3
Windows 95 Special Keys - - - - -	3-4
DOS Special Keys - - - - -	3-5
Configuring the Glidepad - - - - -	3-5
Using a CD-ROM Drive - - - - -	3-6
Auto Speed/Max Speed Settings - - - - -	3-6
Inserting a CD into the Drive - - - - -	3-6
Handling CDs - - - - -	3-6
Built-in Sound System - - - - -	3-6
Adjusting the Volume - - - - -	3-7
Sound Software - - - - -	3-7
External Sound Equipment - - - - -	3-7
Using Remote Connections - - - - -	3-7
Using the Fast Infrared (FIR) Port - - - - -	3-8
Using Zoomed Video Features - - - - -	3-8
MPEG PC Card - - - - -	3-8
Battery Saving Tips - - - - -	3-8
Lowering Inactivity Timeouts - - - - -	3-9
Suspending Operation While Idle - - - - -	3-9
Responding to a Low Battery Condition - - - - -	3-9
Replacing the Battery - - - - -	3-10
Saving to Disk - - - - -	3-10

---

# Contents (continued)

Paragraph	Page
<b>Section 4 Theory of Operation</b>	
Introduction - - - - -	4-1
Notebook Functional Overview - - - - -	4-1
System Processor - - - - -	4-3
Memory Subsystem - - - - -	4-3
Main Memoy- - - - -	4-3
Flash ROM - - - - -	4-3
System Controller Function- - - - -	4-3
Video Subsystem - - - - -	4-5
Sound Subsystem- - - - -	4-5
Keyboard Subsystem- - - - -	4-6
Hard Disk Drive Subsystem - - - - -	4-6
Hard Disk Drive Power Management - - - - -	4-6
Floppy Disk Drive Subsystem - - - - -	4-6
Power Subsystem - - - - -	4-7
AC Power Adapter - - - - -	4-7
<b>Section 5 Troubleshooting Procedures</b>	
Introduction - - - - -	5-1
Overview of Fault Isolation Process - - - - -	5-1
Troubleshooting Procedures - - - - -	5-3
Troubleshooting a Power Supply Problem - - - - -	5-3
Troubleshooting a Display Problem - - - - -	5-3
Fault Isolation Using Power On Self Test - - - - -	5-5
POST Error Messages - - - - -	5-5
POST Beep Error Messages - - - - -	5-8
Run Time Error Messages - - - - -	5-11
PCMCIA Modem Problem - - - - -	5-12
General Fault Isolation Procedures - - - - -	5-12
Fault Isolation Using Diagnostics - - - - -	5-15
PC-Doctor (In DOS Mode or DOS Windows)- - - - -	5-15
Supporting Online Documentation - - - - -	5-16
User Interface to PC-Doctor - - - - -	5-16
Quitting PC-Doctor - - - - -	5-17
Board Level Troubleshooting Procedures - - - - -	5-17
<b>Section 6 Field Service</b>	
Introduction - - - - -	6-1
Preventive Maintenance - - - - -	6-1
Cleaning the Computer - - - - -	6-1
Handling the Computer - - - - -	6-1
Handling the Computer Battery Pack - - - - -	6-2
Password Caution- - - - -	6-2

---

# Contents (continued)

Paragraph	Page
<b>Section 6 Field Service (continued)</b>	
Required Tools and Equipment - - - - -	6-3
Notebook FRUs - - - - -	6-3
Cover-Display Assembly - - - - -	6-4
System Base Assembly - - - - -	6-5
FRU Removal/Replacement Procedures - - - - -	6-9
Removing/Replacing the Primary Battery Pack - - - - -	6-10
Removing/Replacing a Media Bay Device - - - - -	6-11
Removing/Replacing PCMCIA Options - - - - -	6-13
Removing/Replacing the APCI Card Option - - - - -	6-13
Removing/Replacing the Hard Disk Drive Assembly - - - - -	6-15
Removing/Replacing the Keyboard Assembly - - - - -	6-16
Removing/Replacing the Heat Sink Assembly - - - - -	6-17
Removing/Replacing the CPU PWB Assembly - - - - -	6-18
Removing/Replacing the Display Assembly - - - - -	6-19
Removing/Replacing the Top Cover Assembly - - - - -	6-20
Removing/Replacing the LED PWB Assembly - - - - -	6-21
Removing/Replacing the Glidepad Assembly - - - - -	6-22
Removing/Replacing the Power Supply PWB Assembly - - - - -	6-23
Removing/Replacing the Audio PWB Assembly - - - - -	6-24
Removing/Replacing the Main PWB Assembly - - - - -	6-25
Removing/Replacing the Battery/HDD Transfer PWB Assembly - - - - -	6-26
Removing/Replacing the Display FRUs - - - - -	6-27
<b>Appendix A Schematic Diagrams</b>	
Introduction - - - - -	A-1



# General Description <sup>1</sup>

---

## 1.1 Introduction

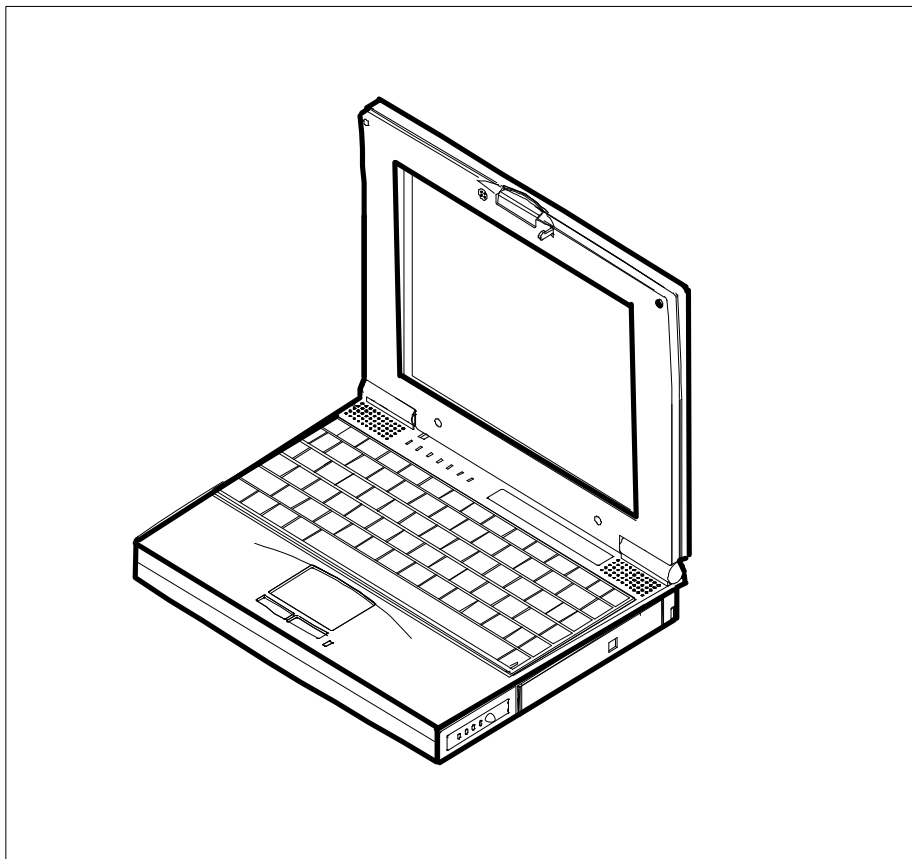
This manual contains field and factory level servicing information for the Extensa™ 660 Series Notebook Computers (Figure 1-1) marketed by Texas Instruments. The first six sections contain information common to all members of the Extensa 660 Family of Notebook Computers.

This section provides a general overview of the Extensa 660 Series, describes the standard and optional features, and identifies the major assemblies and subassemblies. This section also contains detailed functional and environmental specifications for the Extensa 660 Series Notebook Computers.

**Figure 1-1 Extensa 660 Series Notebook Computers**

---

---



---

## 1.2 Product Overview

The Extensa 660 Series contains two major product lines including:

- ◆ 660 CD Series
- ◆ 660 CDT Series

Both notebook series are similar in construction and appearance, have similar operating controls and indicators and use the same software. Both notebook series use a similar startup self test program and diagnostics program (described in detail in Section 5 of this manual). The two models differ in Hard Drive capacity and LCD screen size as listed in Table 1-1 below.

**Table 1-1 Extensa 660 Series Notebook Characteristics**

Feature	660CD Series	660CDT Series
<b>CPU</b>	166 MHz Pentium with MMX Technology	166 MHz Pentium with MMX Technology
<b>Standard Onboard Memory</b>	16 MB	16 MB
<b>Maximum Expandable Memory</b>	80 MB	80 MB
<b>HDD</b>	1.4 GB	2.1 GB
<b>LCD Display Type</b>	12.1-inch DSTN	11.3-inch TFT
<b>Video Memory</b>	1.0 MB	1.0 MB
<b>SVGA</b>	Supports up to 1024 x 768 by 256 color external monitors	Supports up to 1024 x 768 by 256 color external monitors
<b>32-Bit CardBus Ready PC Slots</b>	2	2
<b>Advanced PCI Slot</b>	1	1
<b>Battery Pack (Primary)</b>	NiMH (3500mA)	NiMH (3500mA)
<b>Battery Pack (Primary) Option</b>	Li-Ion	Li-Ion
<b>Battery Pack (Secondary) Option</b>	Li-Ion	Li-Ion
<b>Infrared Port</b>	FIR (4 Mb/s)	FIR (4 Mb/s)
<b>Power System</b>	Auto-switching AC adapter	Auto-switching AC adapter

---

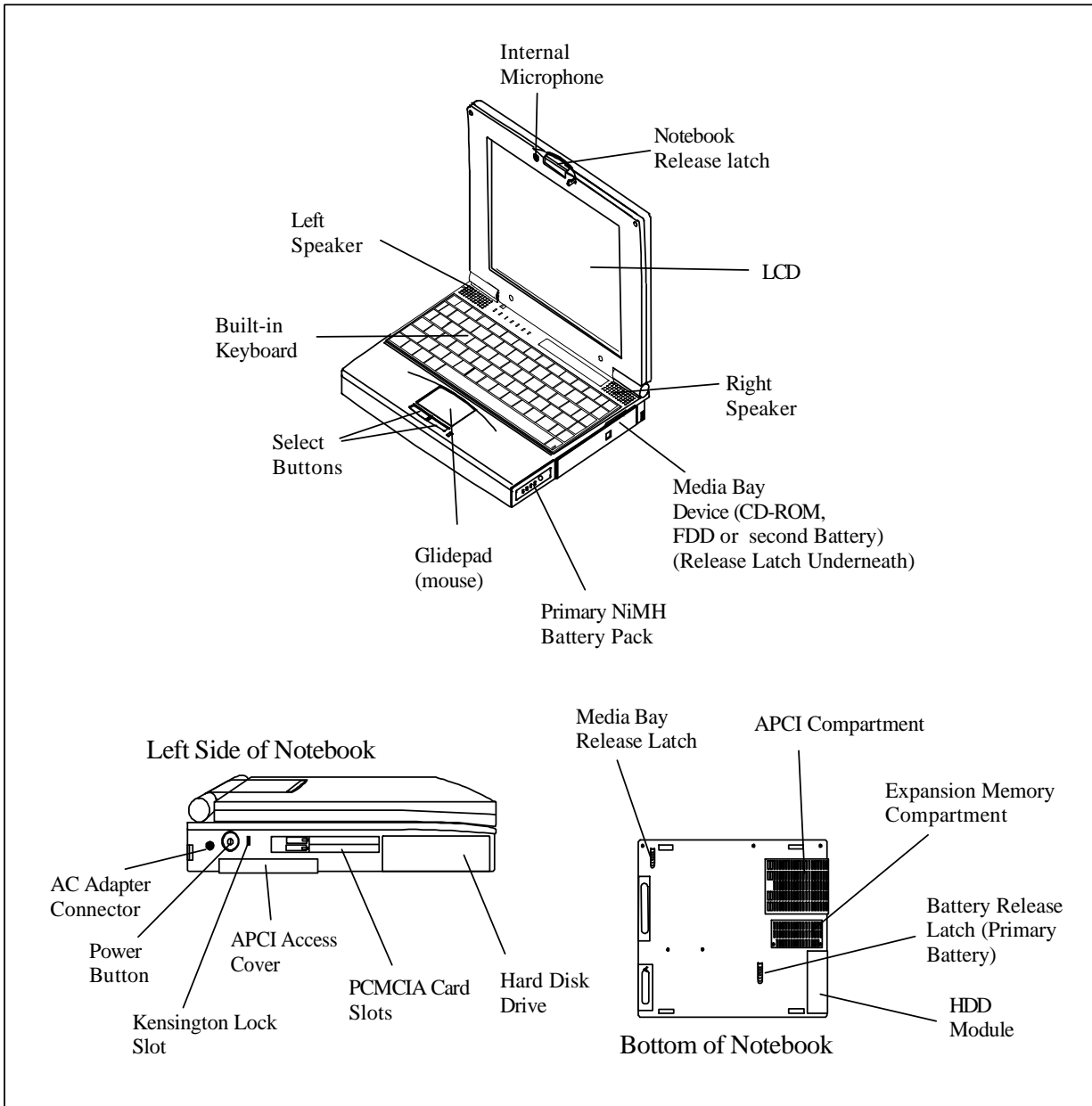
## 1.3 Extensa 660 Series Notebook Features

The Extensa 660 Series Notebook Computers are large screen, high-performance, multimedia notebooks powered by the Intel® P54CSLM Pentium® Processor Chip (133-MHz). Other major features of the 660 Series include:

- ◆ 166 MHz Pentium processor with MMX technology to support advanced video applications
- ◆ Powerful PCI Bus architecture
- ◆ 16 MB main memory (expandable to 80 MB using 16 MB, 32 MB or 64 MB EDO 64-bit type small outline dual inline memory module (soDIMM) upgrades)
- ◆ Built-in 2.5-inch IDE high capacity (1.4 GB or greater) Hard Disk Drive
- ◆ Media Bay that accepts any one of the following user-removable devices:
  - 3.5-inch, 1.44 MB Floppy Disk Drive
  - CD-ROM Drive
  - Second Rechargeable Battery Pack option
- ◆ Advanced video features
  - DSTN or TFT internal color display
  - Simultaneous display with external CRT
  - 1.0 MB video memory
  - Fast video graphics accelerator
  - Full motion video up to 30-frames per second using the Optional MPEG2 PC Card
- ◆ Built-In 86/87-key keyboard
- ◆ Internal glidepad pointing device with two Select buttons
- ◆ Built-in audio features
  - 16-bit stereo audio, Line In, Line Out and Microphone In stereo jacks
  - ESS 1878 Sound Device Drivers
- ◆ Small, lightweight AC adapter, auto-switching (90 VAC to 264 VAC, 50-60 Hz)
- ◆ Portable power system with advanced power savings features for extra long battery life
  - Zero-Volt Suspend, 5-Volt Suspend and Standby power saving modes
  - Rechargeable NiMH (Nickel-Metal-Hydride) primary battery pack

- 
- Provisions for installation of second rechargeable battery pack in the Media Bay for extended portable operation.
  - Li-Ion primary battery option
  - ◆ Powerful expansion capabilities including:
    - Advanced PCI Card slot (accessible from door at base of notebook), 120-pin port (PCI Bus plus sidebands).
    - Two PCMCIA card slots that support two Type I or Type II PC cards at the same time or one Type III PC Card option
  - ◆ Flexible set of external ports for desktop operation
    - Fast infrared communication (4 Mb/s)
    - PS/2® port for connecting an external keyboard, numeric keypad, or mouse
    - 9-pin serial port for connecting external devices such as a modem or mouse
    - Parallel port with EPP and ECP for connecting to a printer
    - External VGA Port for attaching an external high resolution CRT display
    - 120-pin Expansion Bus for attaching an optional Port Replicator

Figure 1-2 identifies the major external notebook features.



**Figure 1-2 660 Series Notebook External Features**

### 1.3.1 Video Display Features

The Extensa 660 Series Notebooks contain large screen internal LCD displays and can simultaneously drive the internal LCD and an external CRT (SimulSCAN™ mode). On all Extensa models, the LCD screen brightness, contrast, video mode of operation, etc. are adjustable from the keyboard as described in Section 3.

---

### 1.3.1.1 Internal LCD

The Extensa 660 Series Notebooks contain one of the following LCDs (model dependent):

- ◆ 12.1-inch DSTN display (660CD Only)
- ◆ 11.3-inch TFT

### 1.3.1.2 External CRTs

The Extensa 660 Series Notebooks are equipped with a 15-pin SVGA connector that can drive an external CRT (either alone or simultaneously with the internal LCD).

When the notebook is set to the SimulSCAN mode, a minimum resolution of 800 x 600 x 256 colors is supported. When operating in the External CRT Mode, resolutions up to 1024 x 768 x 256 colors are supported.

### 1.3.1.3 Display Hot Key Sequences

The display mode of operation (LCD only, Simultaneous LCD and external CRT and external CRT only modes) is keyboard-selectable using the following hot key sequences.

- ◆ **Fn-Up Arrow** and **Fn-Down Arrow** - control LCD screen brightness (higher brightness setting uses more battery energy)
- ◆ **Fn-Right Arrow** - lightens the LCD screen contrast
- ◆ **Fn-Left Arrow** - darkens the LCD screen contrast
- ◆ **Fn-F12** - alternates between display modes (LCD, External CRT or both)
- ◆ **Fn-F11** - turns off the LCD backlight; pressing any key turns the LCD backlight on.

---

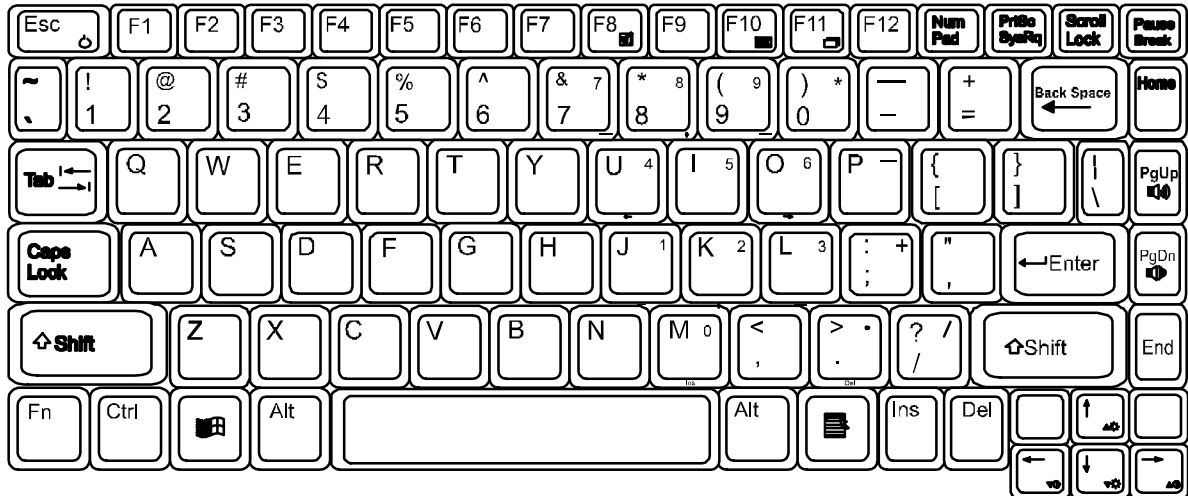
**Note:** In addition to the hot keys that control the notebook display functions, there are several other hot key functions that control other notebook functions such as turning the Glidepad on/off, etc. For these sequences, refer to Section 3.

---

---

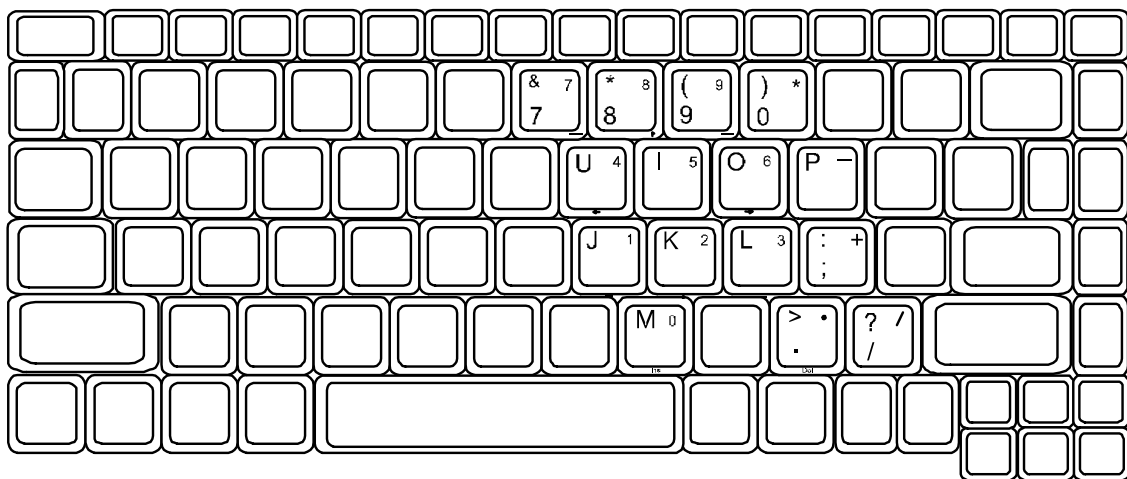
## 1.3.2 Keyboard Features

The Extensa 660 Series Notebooks contain a built-in 86/87-key keyboard (Figure 1-3) compatible with the IBM® enhanced 101/102-key keyboard. The keyboard contains 12 programmable function keys, an embedded numeric keypad (Figure 1-4) and dedicated control keys (hot keys).



**Figure 1-3 Extensa 660 Series Keyboard Layout**

---



**Figure 1-4 Embedded Numeric Keypad**

---

---

### 1.3.3 Software Features

As a standard feature, the Extensa 660 notebooks are factory loaded with dual load (Windows® 95 or Windows for Workgroups) software to allow the user to configure the notebook's operating system environment as summarized in Table 1-2.

**Table 1-2 User-Selectable Operating System Environments**

Operating System	Description
Windows 95	Supports both desktop and mobile operation with Plug N Play capabilities and Advanced Power Management; customized to include TI startup screen, CSL Support information, Internet browser, multimedia options, and choice of wallpaper to customize different computer resources, TI utilities such as wBattery, wSetpower, TISetup, variety of device drivers including NeoMagic 2093, ESS 1878 Sound Device Drivers, WinModem Device Drivers, PC-Card Bus Socket Services and Card Services Device Drivers, and Windows 95 MPEG-1 Software Audio/Video Compression Device Drivers.
Windows/DOS 6.22	This environment has some limitations in the Plug N Play area; includes TI utilities and various device drivers including NeoMagic 2093, ESS 1878 Sound Device Drivers, WinModem Device Drivers, PC-Card Bus Socket Services and Card Services Device Drivers, etc.



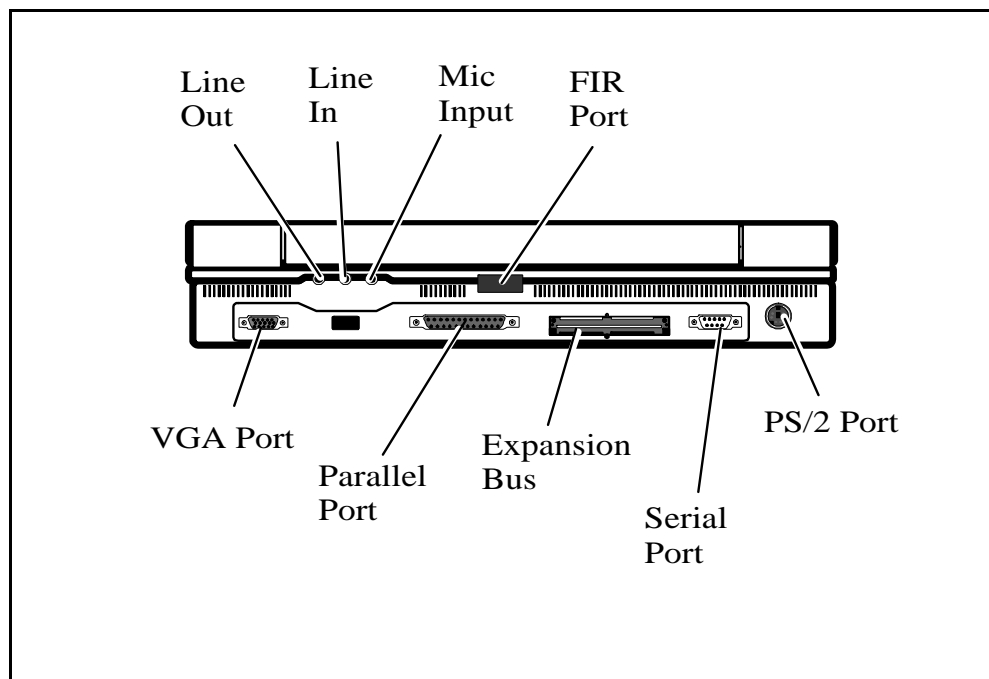
---

### 1.3.4 Standard Peripheral Devices

As standard features, the Extensa notebooks include an internal IDE hard drive, a 3.5-inch floppy disk drive, a CD-ROM drive and built-in glidepad (mouse device).

### 1.3.5 660 Series Connectivity Features

As standard features, the Extensa 660 Series notebooks includes most standard desktop ports including a serial port, parallel port, PS/2 port, and external VGA port. The 660 Series also includes an expansion bus port for connection to an external Port Replicator and a fast infrared (FIR) Port. The external ports for the 660 Series are shown in Figure 1-5 and described in Table 1-3.



**Figure 1-5 660 Series External Ports**

---

**Table 1-3 660 Series External Ports**

Port Assignment	Description
<b>External VGA Port</b>	15-pin Female connector used to attach an external SVGA monitor to the notebook.
<b>Serial Port</b>	9-pin Male connector used to attach an RS-232 serial device to the notebook.
<b>Parallel Port</b>	25-pin Female connector used to attach a bidirectional printer or an external floppy disk drive (requires special cable for use with floppy disk drive).
<b>PS/2 Port</b>	6-pin Circular connectors used to attach external keyboard/mouse devices to the notebook.
<b>DC-IN Connector</b>	Power in connector used to attach the output of the AC adapter to the notebook.
<b>Fast Infrared Port</b>	Fast Infrared Port (4 M/b) used for wireless communications between the notebook and an FIR-equipped device such as keyboard, another notebook, printer, etc.
<b>Audio In/Out, Mic In Jacks</b>	Stereo audio line inputs, stereo line outputs and external microphone input
<b>Expansion Bus</b>	120-pin PCI Bus that supports an external Port Replicator

### 1.3.6 Expansion Capabilities

In addition to the external ports, the Extensa 660 Series Notebooks are designed with a variety of expansion features that permit substantial functionality and performance upgrades over the life of the product. The expansion capabilities built into the notebook are summarized in Table 1-4 and described in greater detail in the following paragraphs.

**Table 1-4 Extensa 660 Expansion Features Summary**

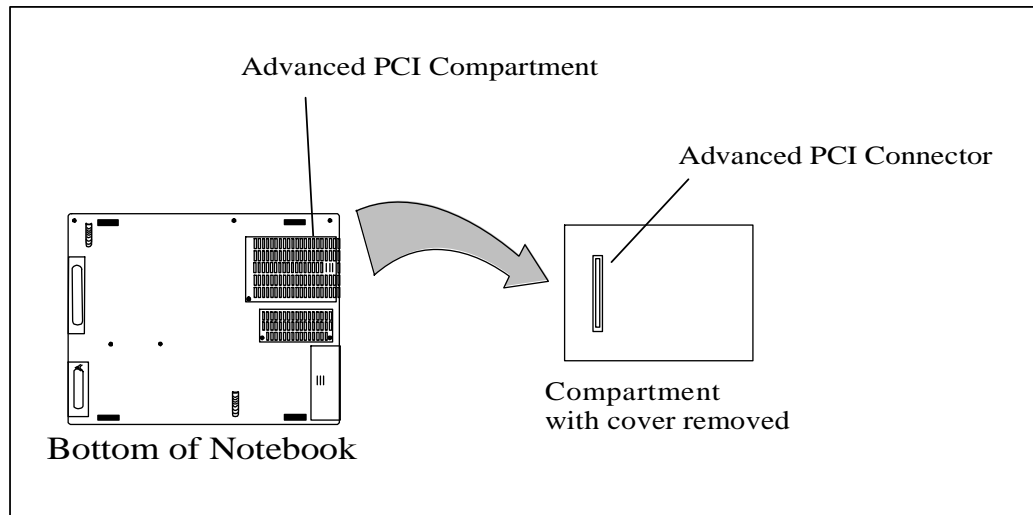
Expansion Feature	Description
Media Bay CD-ROM Drive	Reads from Audio CD, Photo CD or CD ROM
Media Bay 3.5-inch Diskette Drive Module	Provides convenient storage on a removable disk format
Memory Expansion Features	Main memory can be expanded from 16 MB to a maximum of 80 MB using one soDIMM module (16 MB, 32 MB, or 64 MB configurations).
Flash ROM (hardware feature)	Permits new versions of BIOS to be downloaded into Flash ROM without physically having to replace the ROMs
PCMCIA Slots	Allows installation of any optional PCMCIA device such as speakerphone modems, Ethernet <sup>®</sup> cards, and full motion video cards.
Advanced PCI Slot	Provisions for installing one Advanced PCI Card (accessible through a compartment door on the bottom of the unit).
Port Replicator	Device that attaches to the Expansion Bus on the 660 Series Notebook and provides the connectivity with quick removal/installation feature required for combination desktop and portable environments.

These expansion features are described in greater detail in the following paragraphs.

---

### 1.3.7 Advanced PCI Card Options

The Extensa 660 Series Notebooks contain provisions for an advanced PCI Card (installs from the bottom of the notebook by removing the APCI Cover as shown in Figure 1-6).

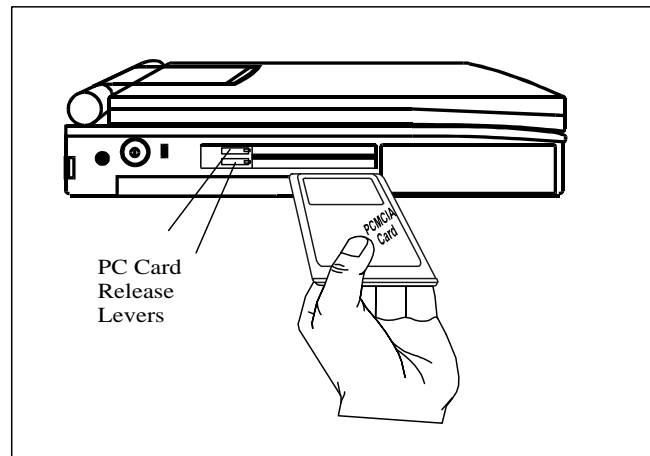


**Figure 1-6 Installing Advanced PCI Card**

---

### 1.3.8 PCMCIA Card Options

The Notebook contains an onboard PCMCIA Controller and two 64-pin sockets that can accept up to two credit-card size (14.5 mm) Type I or Type II PCMCIA option cards or one Type III card. The PCMCIA Card options install on the left side of the notebook (Figure 1-7) and are removed using the PC Card Release levers.



**Figure 1-7 Installing PCMCIA Card Options**

---

---

## 1.4 Notebook Batteries

The notebook computer can use one of three types of batteries:

- ◆ Primary Battery - Nickel-Metal-Hydride type
- ◆ Primary Battery - Lithium-Ion type (option)
- ◆ Secondary Battery - Lithium-Ion type (option)

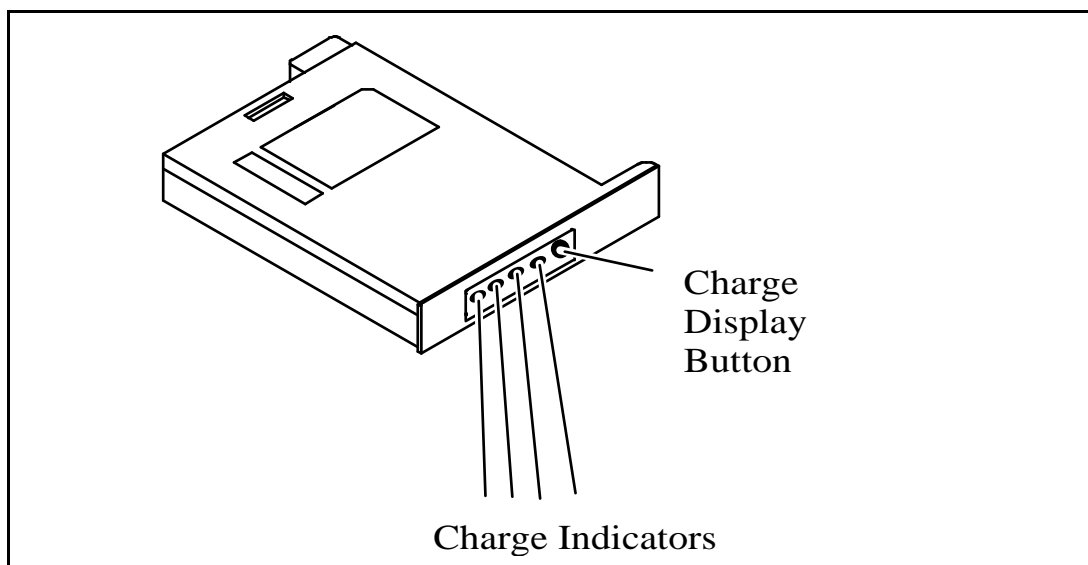
The primary battery is housed in the battery compartment and the Secondary battery fits in the Media Bay compartment. The characteristics of the available batteries are listed in Table 1-5.

**Table 1-5 Battery Specifications**

	Primary	Primary	Secondary
Type	Ni-MH	Li-Ion	Li-Ion
Maximum charge current	1.3A	CC/1.3A, CV/12.3V	CC/1.3A, CV/12.3V
Average charge time	3 hours	4 hours	4 hours

### 1.4.1 Determining Battery Charge Level

As shown in Figure 1-8, the batteries used in the Extensa 660 have a series of lighted indicators that show the amount of charge remaining in the battery (visible when the Charge Display button is pressed).



**Figure 8 Battery Charge Indicators**

---

---

---

Table 1-6 shows how to interpret the battery indicators.

**Table 1-6 Interpreting the Battery Charge Indicators**

No. of Indicators On	Charge in Battery
None	Less than 20% (ORG)
1	20% to 40% (GRN)
2	40% to 60% (GRN)
3	60% to 80% (GRN)
4	80% to 100% (GRN)

## 1.4.2 External Battery Charger Option

An optional external battery charger is available that charges a battery outside of the computer (all three types of batteries used by the Extensa 660 Series). To order an optional battery charger (or any of the Extensa options), contact your computer dealer or call Texas Instruments at 1-800-TI-TEXAS.

## 1.5 Standard Test Features

The Extensa 660 Series Notebook Computers use modular design and built-in test features to reduce the mean time to repair. A power on self test program automatically verifies the operational state of the primary circuits and a powerful suite of diagnostic tests (known as PC-Doctor) are available to further test selected parts of the system.

### 1.5.1 Power On Self Test

The Extensa line of notebook computers contain a BIOS-resident, Power On Self Test (POST) that automatically performs a test of memory and all major circuits each time the computer is powered up. In the event of a failure, the computer displays a descriptive error message and issues a series of coded beeps (in case the display subsystem is not functioning). If self test completes normally, the computer displays the amount of memory tested, loads the Operating System and Windows environment.

### 1.5.2 PC-Doctor Diagnostics Program

The Extensa 660 Series Notebooks are shipped with PC-Doctor for Windows, a powerful diagnostics tool that can help you scan a system for viruses, determine the hardware configuration of a local or remote system, benchmark its performance, analyze the performance of all subsystems, and perform a suite of interactive and non-interactive tests on attached devices (such as printers, VGA monitors, SCSI<sup>®</sup> devices, CD-ROM drives). The test results are stored in a log which can be printed out (by pressing **F2**) or saved in a disk file (by pressing **F3**).

Features of the diagnostic program are accessed through a series of pull-down menus and basic keyboard keys (cursor keys to move highlighted pointer, **Enter** key to select a highlighted feature, **Esc** key to cancel a function and move back one level.

---

PC-Doctor is typically user-friendly but if you don't understand a feature, context-sensitive help information is available at any time by pressing the **F1** function key; pressing the **F1** function key twice accesses the online Technical Reference Manual for PC-Doctor.

A powerful set of utilities within PC-Doctor (that can be run locally or remotely) simplify the task of determining system configuration data, allocating and using system memory, IRQ and DMA use, what device drivers are installed, what COM and LPT ports are assigned and what ports are available, identifying partitioning data for fixed disk drive(s), determining the VGA setup information, reading the software interrupts/interrupt vectors, etc.

---

**Note:** Refer to *Troubleshooting Procedures* (Section 5) for additional information regarding the Diagnostics Program.

---

## 1.6 Extensa 660 Series Specifications

General specifications for the Extensa 660 Series Notebooks are provided in Table 1-6.

**Table 1-6 Extensa 660 Specifications**

Characteristic	Model 660CD	Model 660CDT
<b>CPU</b>	Pentium P55CLM, 166 MHz; 3.1 Volt	Pentium P55CLM, 166 MHz; 3.1 Volt
<b>Internal Hard Disk Drive</b>	Standard Module	Standard Module
<b>Disk Storage Capacity:</b>	1.4 GB	2.1 GB
<b>Average access time:</b>	12 ms or less	12 ms or less
<b>Throughput</b>	11+ Million I/O's per second	11+ Million I/O's per second
<b>DRAM Memory</b>		
<b>Size</b>	16 MB DRAM, 60-ns, page-interleaved	16 MB DRAM, 60-ns, page-interleaved
<b>Maximum Expansion Size</b>	80 MB	80 MB
<b>Flash ROM:</b>	256 KB	256 KB
<b>FDD</b>	Standard Module	Standard Module
<b>Disk Storage Capacity:</b>	1.44 MB	1.44 MB
<b>Disk Size</b>	3.5-inch disk	3.5-inch disk
<b>Drive Height</b>	12.5 mm	12.5 mm
<b>Mode</b>	Choice of 720 KB/1.2 MB or 1.44 MB	Choice of 720 KB/1.2 MB or 1.44 MB
<b>CD-ROM Drive</b>	Standard Module	Standard Module
<b>LCD Display</b>	12.1-inch DSTN, SVGA	11.3-inch TFT, SVGA
<b>Software</b>	Dual Load	Dual Load
<b>Internal Keyboard</b>	86/87-key, PS/2 and AT-compatible	86/87-key, PS/2 and AT-compatible
<b>Key Travel</b>	Embedded Numeric Keypad 3 mm	Embedded Numeric Keypad 3 mm

**Table 1-6 Extensa 660 Specifications**

Characteristic	Model 660CD	Model 660CDT
<b>Built-in Mouse Device</b>	Glidepad built-in to the base of the keyboard (select buttons just below Glidepad)	Glidepad built-in to the base of the keyboard (select buttons just below Glidepadpad)
<b>Video Subsystem</b>		
<b>LCD Aspect Ratio</b>	1-1	1-1
<b>Emulations:</b>	SVGA	SVGA
<b>Video Memory Size</b>	1.5 MB	1.5 MB
<b>Video Bus:</b>	32-bits	32-bits
<b>LCD Resolution:</b>	640 x 480 pixels bit-mapped at 64K colors	640 x 480 pixels bit-mapped at 64K colors; 600 x 800 at 64K colors.
<b>LCD Characters/Line</b>	80	80
<b>LCD Lines/Screen:</b>	25	25
<b>LCD Brightness Control:</b>	Function hot key brightness and contrast control and SimulSCAN control	Function hot key brightness and contrast control and SimulSCAN control
<b>External CRT Monitor Interface</b>		
<b>Connector Type:</b>	15-Pin, female, D-type connector	15-Pin, female, D-type connector
<b>Monitors Supported:</b>	640 x 480 with 16.7 million colors on CRT 800 x 600 with 65K colors on CRT 1024 x 768 with up to 256 colors on CRT	640 x 480 with 16.7 million colors on CRT 800 x 600 with 65K colors on CRT 1024 x 768 with up to 256 colors on CRT



**Table 1-6 Extensa 660 Specifications**

Characteristic	Model 660CD	Model 660CDT
<b>RS-232-D Serial Port:</b>	9-Pin, male, sub-D-type connector	9-Pin, male, sub-D-type connector
<b>Method:</b>	EIA RS-232-D	EIA RS-232-D
<b>Type:</b>	Asynchronous transmission	Asynchronous transmission
<b>Bits per second:</b>	110, 200, 300, 600, 1200, 2400, 4800, 9600, 19200	110, 200, 300, 600, 1200, 2400, 4800, 9600, 19200
<b>Parity: Transmit:</b>	Odd, even, mark, space	Odd, even, mark, space
<b>Receive:</b>	Data check: odd, even	Data check: odd, even
<b>Line control:</b>	READY/BUSY, DC1/DC3	READY/BUSY, DC1/DC3
<b>Data word:</b>	7- or 8-bit	7- or 8-bit
<b>16550 UART Support</b>	Yes	Yes
<b>Selectable Serial Port (BIOS Setup)</b>	COM1 (IRQ4, 3F8h) COM2 (IRQ3, 2F8h) COM3 (IRQ4, 3E8h) COM4 (IRQ4, 2E8h) Disable	COM1 (IRQ4, 3F8h) COM2 (IRQ3, 2F8h) COM3 (IRQ4, 3E8h) COM4 (IRQ4, 2E8h) Disable
<b>Parallel Port</b>	EPP/ECP Bidirectional	EPP/ECP Bidirectional
<b>Connector Type</b>	25-Pin, DB-25 Connector	25-Pin, DB-25 Connector
<b>Fast I/R Port</b>	Yes	Yes
<b>Transfer Data Rate</b>	4 Mb/s	4 Mb/s
<b>Expansion Bus Port</b>	Yes	Yes

---

## 1.7 Regulatory Agency Approvals

All Extensa 660 Series products meet the following regulatory agency standards:

- ◆ Underwriter's Lab (UL) Standard 1950 (safety)
- ◆ Canadian Standards Association (CSA) Standard 950 or CUL (safety)
- ◆ FCC CFR 47, Part 15, Subpart B, FCC Level B (Emissions)
- ◆ Canadian Department of Communications (DOC) ICES, Class B (Emissions)
- ◆ VDE- EN60950 (Safety)
- ◆ EN 50082-1 (Immunity: ESD, RFI, EFT, and Surge)
- ◆ EN 50081-1 (Emissions: RFI, EMI, Harmonics, and Flicker)
- ◆ Approval Marks: UL, CUL, VDE, FCC, and CE

## 2.1 Introduction

This section contains unpacking and preparation for use instructions for the Extensa 660 Series Notebook Computers. This includes:

- ◆ Removing the computer and all manuals, options and accessories from the shipping container(s)
- ◆ Installing Internal Notebook Options
- ◆ Installing External Notebook Options
- ◆ Installing Battery Packs
- ◆ Installing Desktop Devices
- ◆ Installing the AC Adapter
- ◆ Checking Out the System
- ◆ Installing the System Software
- ◆ Making Backups of System Software
- ◆ Loading Application Software

## 2.2 Unpacking Instructions

Unpack the computer using the following instructions:

1. Carefully cut the tape that seals the top flap of the shipping carton.
2. Remove the computer and the accessories carton from the main shipping carton.
3. Remove all protective coverings from the computer.
4. Open the accessory box; remove the contents.

---

**Note:** Save the two shipping containers and packaging for later reuse.

---

---

## 2.3 Installing Internal Notebook Options

If you have no internal options to install at this time, skip to Paragraph 2.4. Otherwise, continue with Paragraph 2.3.1.

### 2.3.1 Installing Main Memory Expansion (Optional)

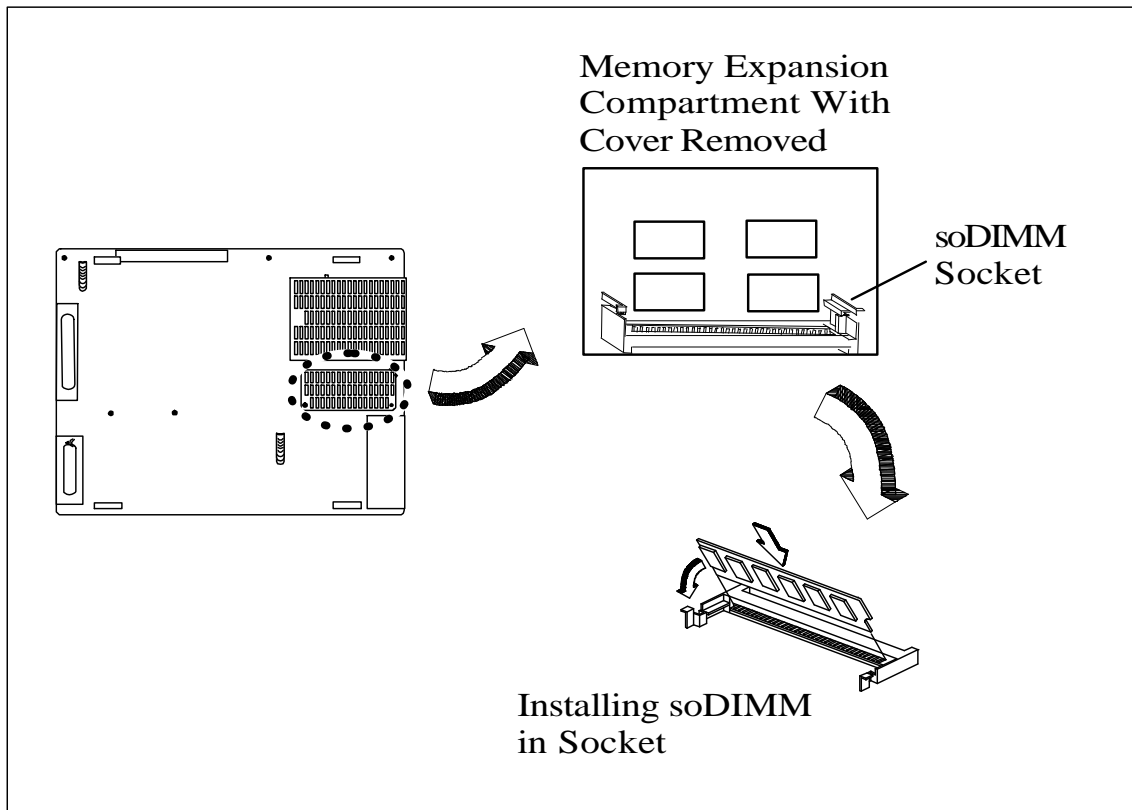
Main memory on the 660 Series Notebooks can be expanded using an EDO Small Outline Dual Inline Memory Module (EDO soDIMM). These modules are available in 16 MB, 32 MB, and 64 MB sizes and install in the expansion memory slot on the System Board accessed through the Memory Expansion Door on the bottom of the notebook. The installation process consists of the following steps:

---

**Caution: The EDO soDIMM module option contains components that are sensitive to static electricity. When handling the module and the internal parts of the computer, protect against static electricity by using wrist or ankle grounding straps and grounded working mats. When moving or storing items, use the anti-static bags supplied with the items.**

---

1. Ensure that the notebook is powered off and the AC adapter disconnected from the AC outlet. Also, ensure that all batteries are out of the unit.
2. Disconnect any peripheral device interface cables from the external interface connectors and remove any installed PCMCIA options.
3. Turn the notebook over and locate the Expansion Memory Access Cover on the bottom of the notebook.
4. Remove the screw holding the Expansion Memory Access Cover and remove the cover.
5. Remove the EDO soDIMM module from its shipping container.
6. Refer to Figure 2-1. To install an soDIMM module, first align the connector edge of the memory module with the key in the connector. Insert the edge of the memory module board into the connector using a rocking motion to fully insert the module. Push downward on each side of the memory module until it snaps in place.
7. Reinstall the Expansion Memory Access Cover using the screw removed in Step 4.
8. Replace the batteries and AC adapter.
9. Power up the notebook. If all of the installed memory is not recognized, try reseating the soDIMM module and rebooting.



**Figure 2-1 Memory Expansion Removal/Replacement**

---

**Note:** After installing expansion memory in your notebook, you must run the *PHDISK* utility in order for the *Save-To-Disk* or *OV Suspend* functions to operate correctly.

---

### 2.3.2 Setting up the Software

---

**Note:** If you are using an operating system other than Windows 95, Windows for Workgroups, or DOS, you may need to re-partition your hard disk drive to allow for the additional memory. Check with your system administrator.

---

---

## In Windows 95

Follow these steps if your computer is running Windows 95.

1. From the Taskbar, select **Start** then **Shut Down**.
2. Select the **Restart the Computer in MS-DOS mode**.
3. Click on **Yes**.
4. Type **PHDISK /C /F** at the DOS prompt and press **Enter**.
5. The DOS screen appears and shows the save file name and size. Press any key to reset the system. The computer will reboot.

## In Windows for Workgroups

Follow these steps if your computer is running MS-DOS and Windows for Workgroups.

1. Close all applications and exit Windows for Workgroups to MS-DOS.
2. At the command prompt (typically C:\) type **PHDISK /C /F** and press **Enter**. This will create a file which can be used to save the contents of your memory system when you perform a *OV Suspend* operation.

### 2.3.3 Installing Advanced PCI Option Card

To install an Advanced PCI Card option, use the following procedure:

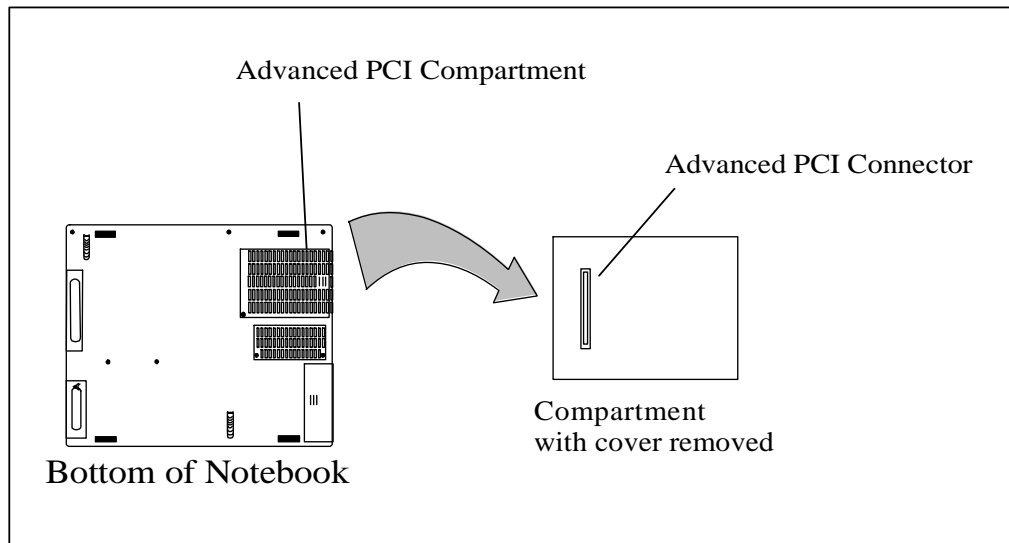
---

**Caution: The Advanced PCI card option contains components that are sensitive to static electricity. When handling the card and the internal parts of the computer, protect against static electricity by using wrist or ankle grounding straps and grounded working mats. When moving or storing items, use the anti-static bags supplied with the items.**

---

1. Ensure that the notebook is powered off and the AC adapter disconnected from the AC outlet. Also, ensure that the battery is out of the unit.
2. Disconnect any peripheral device interface cables from the external interface connectors and remove any installed PCMCIA options.
3. Turn the notebook over and locate the Advanced PCI Access Cover on the bottom of the notebook (refer to Figure 2-2).
4. Remove the screw holding the Advanced PCI Access Cover and remove the cover.
5. Review the installation instructions supplied with the Advanced PCI option card.
6. Hold the card at the end opposite the connector pins with the label side up. Insert the card firmly into the Advanced PCI connector on the Main Board.

- 
7. Replace the Advanced PCI Access Cover and all components removed in Steps 1 and 2 above. Refer to the User Documentation for the Advanced PCI option for further instructions.



**Figure 2-2 Installing an Advanced PCI Card Option**

---

---

### 2.3.4 Installing PCMCIA Options

The Notebook has two connector slots for PCMCIA option cards. These two slots can be used to install one Type III or two Type I/II credit card size PCMCIA option cards. You can install a PCMCIA (PC card) without turning the computer off.

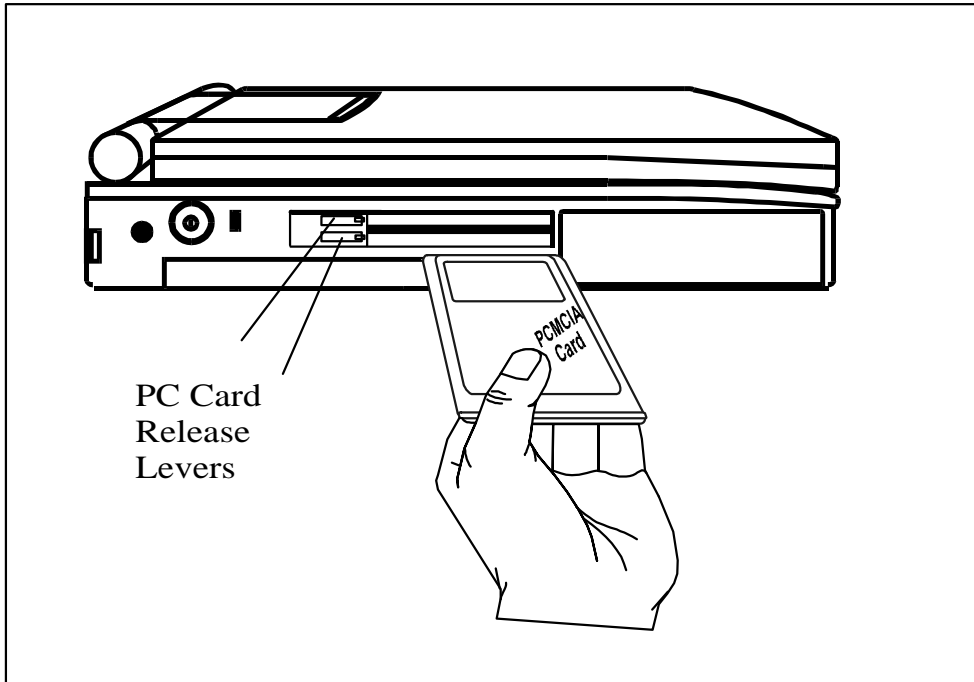
Use the following procedure to install a PCMCIA option:

1. Review the installation instructions supplied with the PCMCIA option card(s).
2. Hold the card at the end opposite the connector pins with the label side up. Insert the card into an unused slot on the left side of the Notebook.
3. If the option requires external cabling (e.g., modem option), connect external cabling at this time.

---

**Note:** After installation of a PCMCIA option card, Windows 95 displays the **New Hardware Found** dialog box to help you configure the new device. To remove a card, click on the **PCMCIA** icon; then, press the appropriate PC Card Release lever (or press both levers for a Type III device) and remove the option.

---



**Figure 2-3 Installing PCMCIA Option Cards**

---

**Note:** When installing a Zoomed Video option card, the card must be installed in the upper card slot (slot 0 or A). Other option cards can be installed in either card slot.

---

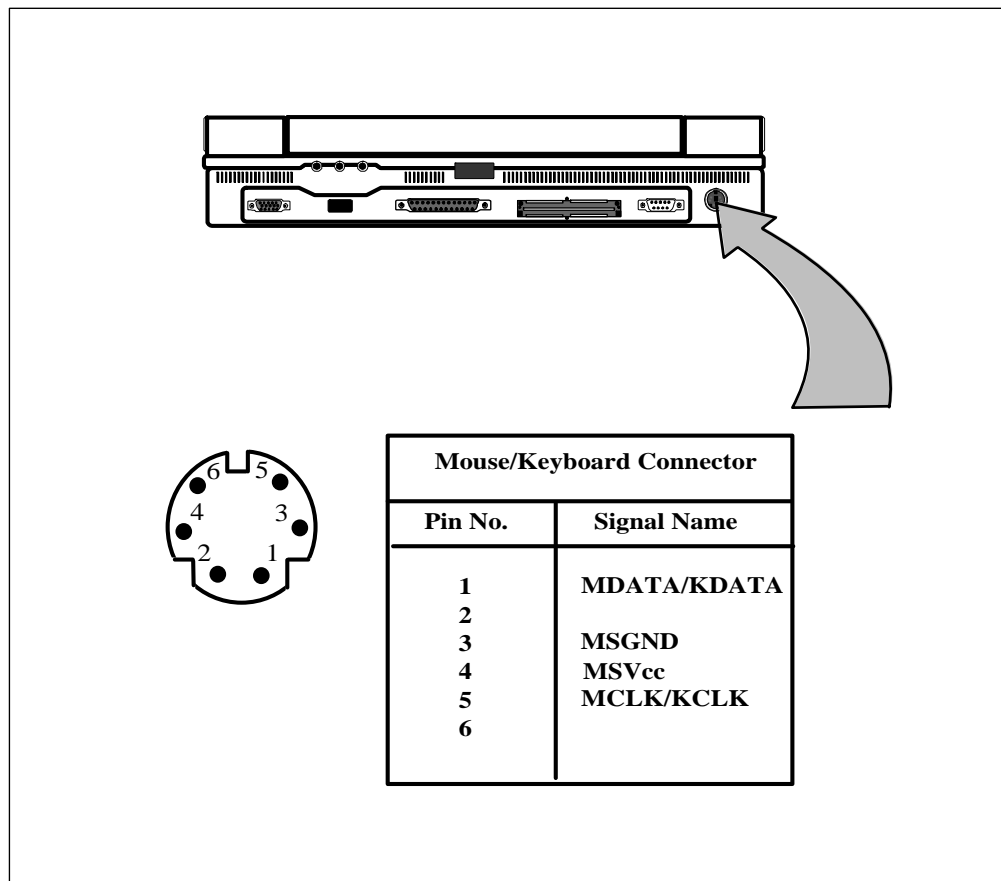


---

## 2.4 Installing External Notebook Options

### 2.4.1 Installing Ext. Keyboard/Mouse/Numeric Keypad

A PS/2 compatible Keyboard, mouse or an optional PS/2-compatible numeric keypad may be installed on the notebook via the mouse connector on the left rear port as shown in Figure 2-4.

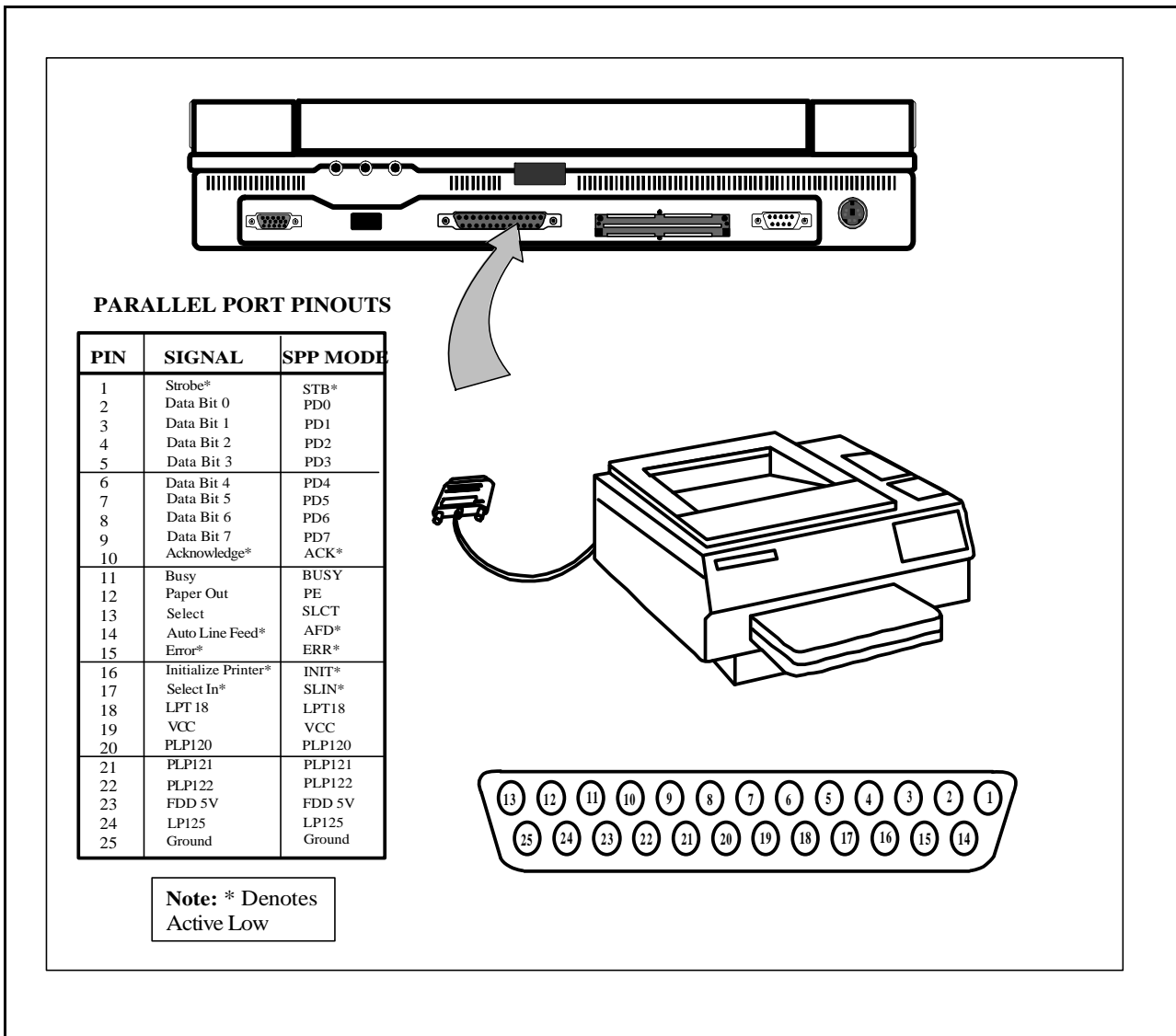


**Figure 2-4 PS/2 Port Pinouts**

---

## 2.4.2 Installing an External Parallel Printer

The Notebook is equipped with an external, bidirectional, ECC/EPP compatible, 25-pin parallel printer port. The connector pinouts and connector location are shown in Figure 2-5.



**Figure 2-5 Parallel Port Pinouts**

---

## 2.4.3 Installing an External Serial Port Device

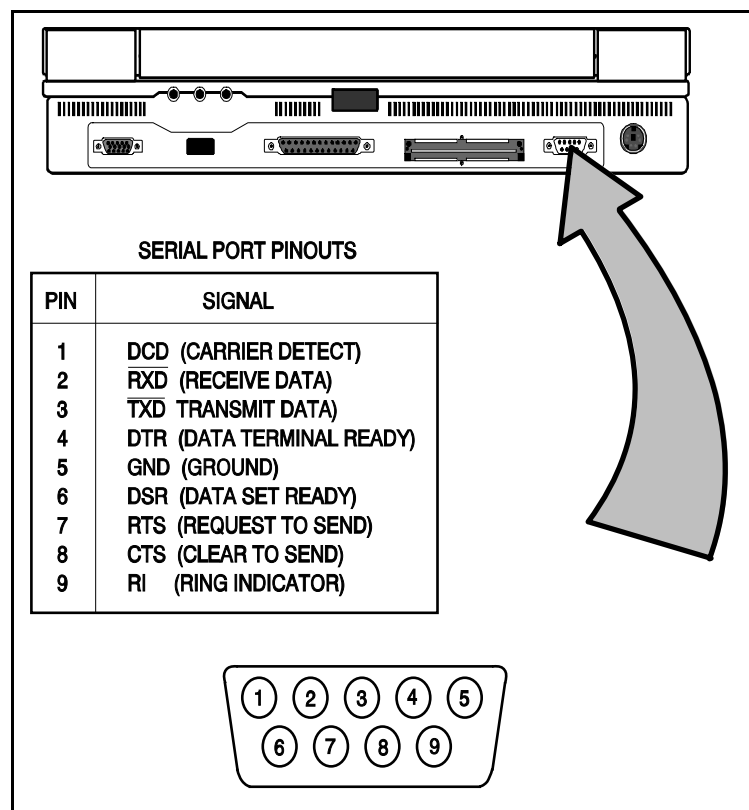
The notebook contains an external RS-232 serial port with a 9-pin, male DB-9 connector as shown in Figure 2-6 (25-pin cables require the use of an adapter for use with the 9-pin port). The serial ports are used to interconnect such devices as:

- ◆ External Modem
- ◆ Serial Mouse
- ◆ Serial Printer
- ◆ Any device that uses an RS-232 interface

---

**Caution: Never connect a parallel device to a serial port or a serial device to a parallel port or video port; this may cause damage to the notebook and/or external device. If you are uncertain of what type connector the external device has, refer to the technical manual for the external device.**

---

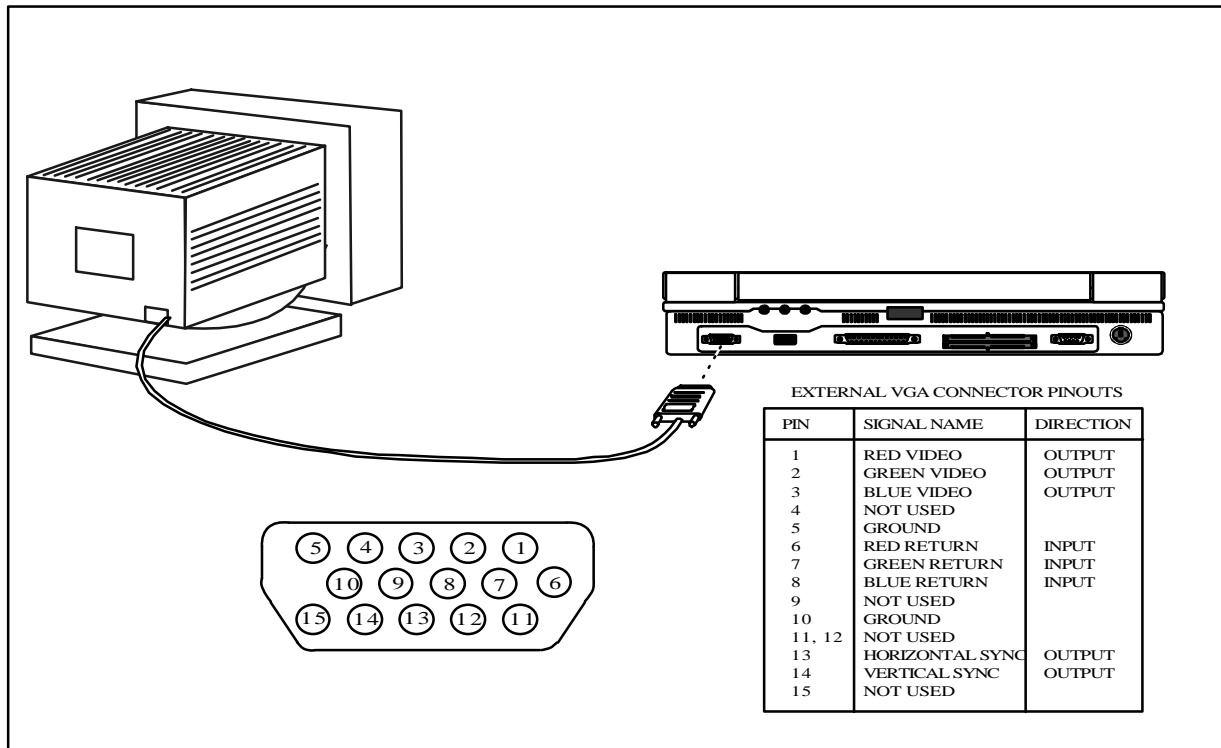


**Figure 2-6 Serial Port Pinouts**

---

## 2.4.4 Installing an External VGA Monitor

The notebook contains an external CRT port that can drive one of a variety of monitor resolutions and colors as summarized in Table 1-9. The associated connector location and pinouts are shown in Figure 2-7.



**Figure 2-7 External VGA Pinouts**

---

Use the following procedure to install an external monitor:

1. Turn off power to both the notebook and monitor.
2. Connect the 15-pin external VGA cable from the monitor to the VGA connector on the notebook computer (refer to Figure 2-7).
3. Power up the notebook computer first; then, turn on power to the monitor.
4. Setup the notebook display mode for **LCD only**, **simultaneous LCD and CRT** or **CRT only** (under Windows 95, select the **Change Display Utility**; under Windows for Workgroups, use the **WinMode Utility**).
5. Install the correct driver, if required (refer to the Monitor Installation Instructions supplied by the CRT vendor).

---

## 2.5 Battery Pack Installation

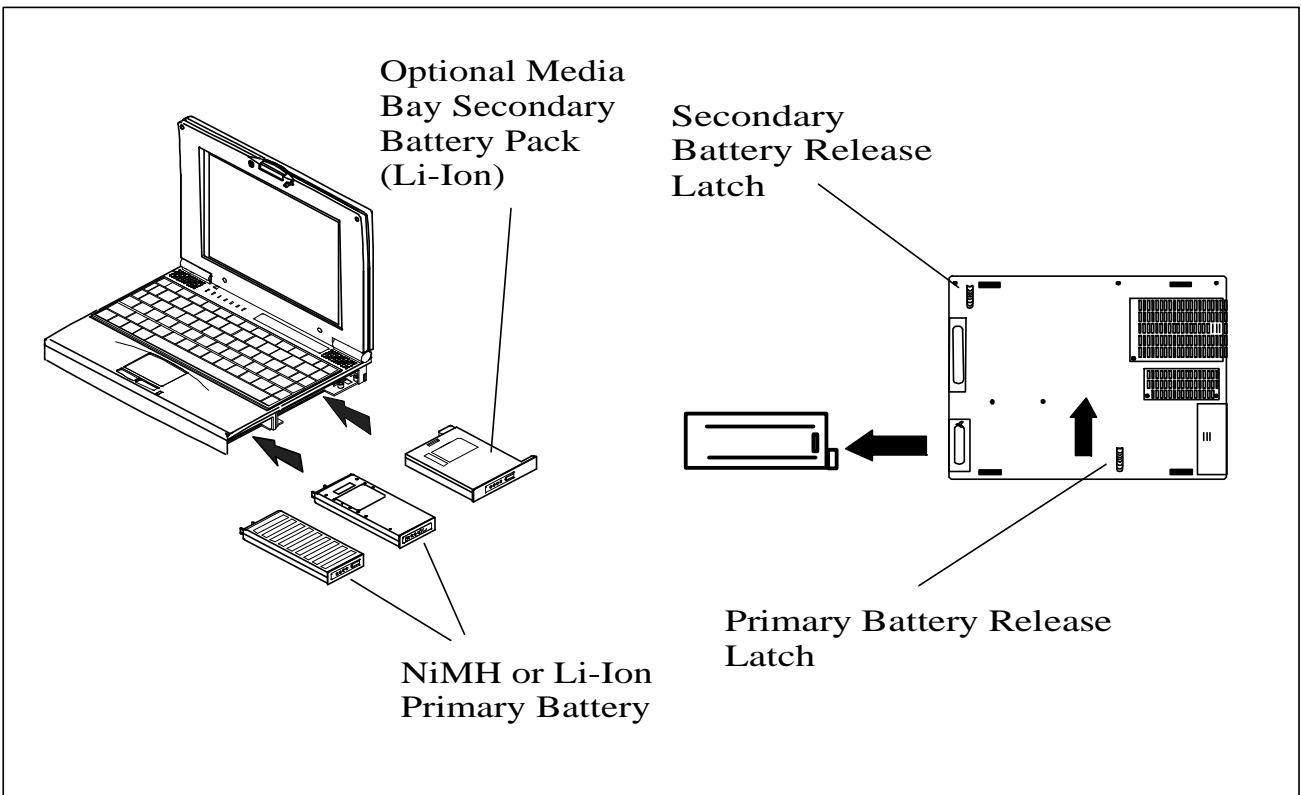
1. Turn off the computer and disconnect the AC adapter if attached to the computer.

---

**NOTE:** If removing an existing battery, press the battery release latch located underneath the notebook as shown in Figure 2-8 and remove the battery.

---

2. Look for the hand hold and insert the battery with hand hold down until battery pack snaps in place.



**Figure 2-8 Battery Pack Removal/Installation Installation**

---

---

## 2.6 Installing the AC Power Adapter

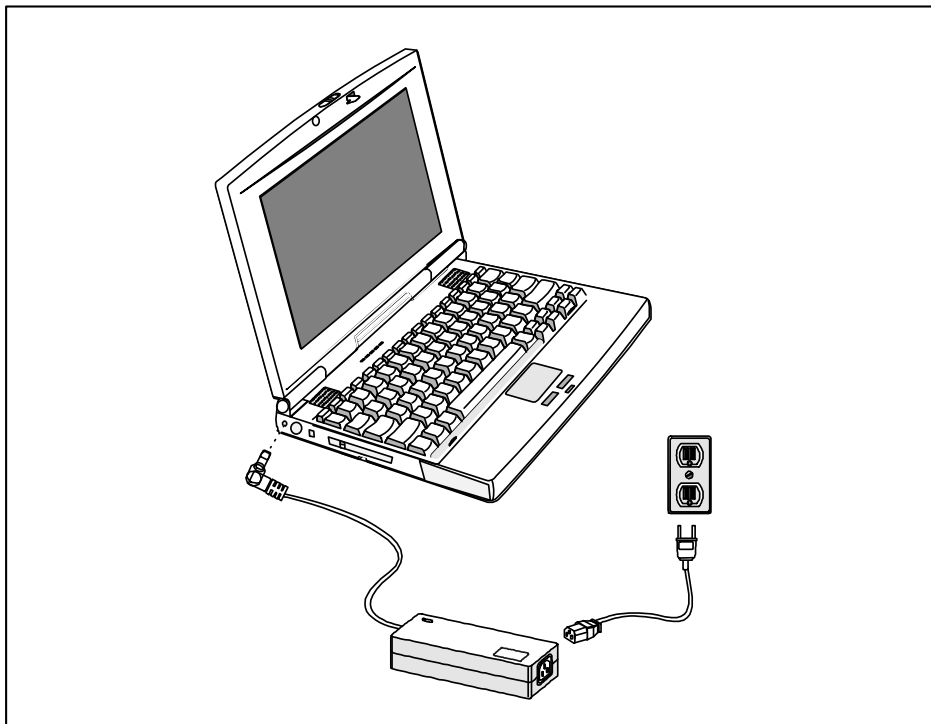
Use the following procedures to connect the AC adapter to the system:

---

**Caution:** Use only the AC adapter supplied with the computer; other adapters can damage the unit.

---

1. Remove the AC adapter from the packaging. Connect the round coaxial connector supplied with the notebook to the **DC IN** power receptacle on the left rear of the notebook as shown in Figure 2-9.
2. Connect the female side of the AC power cord to the AC adapter and connect the male end to a grounded AC outlet.



**Figure 2-9** Installing the AC Adapter

---

## 2.7 Initial Software Load

After unpacking and setting up the notebook for the first time, you must perform an initial software load that takes approximately 30 minutes.

Because of the way Windows 95 structures its files, stopping in the middle of the setup

---

process can cause irreversible file damage. Before starting the initial software load process, ensure that you have the following:

- ◆ **Extensa 660 User's Guide** - Contains latest software installation instructions.
- ◆ **AC Adapter/Access to AC power** - Although the battery pack may have some charge, it may be insufficient for the entire set up. Loss of power during setup can cause irreversible file damage.
- ◆ **Certificate of Authenticity** - You will need to enter the number from your *Windows 95 Certificate of Authenticity* during Windows 95 Setup. This certificate is part of the Windows 95 documentation kit. You need this number even if you are installing Windows for Workgroups.
- ◆ **Language** - During initial setup you choose the following:
  - Language for Windows displays
  - Language for keyboard installed
- ◆ **Printer type** - As part of the Windows setup, you are prompted to choose a printer. Microsoft® includes the files for many different printers. If you cannot find your printer in the list, you will need the floppy disk with the printer driver provided by the printer manufacturer. If you do not want to install a printer at this time, you can skip this part of the setup.
- ◆ **Operating System Type**- During initial setup you must choose which, operating system to load, either Windows 95 or MS-DOS® and Windows for Workgroups (DOS+WFW). *This choice is final. You will not be able to change the operating system after installation is complete.* For most users, Windows 95 is the better choice. You might want to load DOS+WFW under the following circumstances.
  - Your corporation or workgroup may have guidelines that require use of DOS+WFW. Check with your manager to determine the policy at your company.
  - The software that controls your local area network may not be compatible with Windows 95. Check with your network administrator to determine whether Windows 95 is compatible.
  - Although most software that is compatible with DOS+WFW is also compatible with Windows 95, it is possible that the existing software you are using will not run in Windows 95. If you have a critical software application that you intend to copy to your new computer, check with the manufacturer of the software to determine whether your application is compatible with Windows 95.

---

## 2.8 Backing Up System Files

After setting up the operating system, the computer gives you the opportunity to back up the operating system on floppy disks. You can make your backups immediately following setup or later. When you choose to back up your operating system on floppy disks, you will need approximately 40 floppy disks for Windows 95 or 20 floppy disks for DOS+WFW.

## 2.9 Demo Program

- ◆ After completing setup, you can run a multimedia demo program. This program is entertaining and informative and includes the following information.
- ◆ The features of your computer and how to use them
- ◆ The livegear™ accessories available for your computer
- ◆ The software loaded on your computer
- ◆ How to get service and technical support
- ◆ More about Texas Instruments

### 2.9.1 Stopping the Demo Program

To stop the demo, press the left mouse button or double-tap the Glidepad.

### 2.9.2 Running the Demo Again

To run the demo program, do one of the following.

#### In Windows 95

1. Double-click on the **About Your Extensa** icon on the desktop.
2. Follow the directions to use the program.

#### In Windows for Workgroups

1. From the Program Manager, double-click on the **Texas Instruments Multimedia group**.
2. Double-click on the **About Your Extensa** icon.
3. Follow the directions to use the program.

### 2.9.3 Deleting the Demo Program

An uninstall program helps you delete all or part of the demo program to free up space on your hard disk drive. The way you get to the program to remove the demo program depends on your operating system.



---

## Windows 95

1. Double-click on the **Uninstall Demo** icon on the desktop.
2. When the Uninstall window appears, you can choose a complete or partial uninstall. If you want to keep some parts of the demo, you can deselect those parts, then click on **OK**.

## Windows for Workgroups

1. In the Program Manager double-click on the **Texas Instruments Multimedia group**.
2. Double-click on the **Uninstall Demo** icon.
3. When the Uninstall window appears, you can choose a complete or partial uninstall. If you want to keep some parts of the demo, you can deselect those parts, then click on **OK**.

## 2.10 Initial System Checkout

After you've installed all internal options, external devices, and loaded the software system, you're ready for system checkout and software configuration.

To check out the system, press the power button on the left side of the notebook which initiates self test. During self test execution, the computer checks the operation of all key hardware including memory and CPU (and displays copyright and version number data during test execution).

Upon successful conclusion of self test, the computer automatically loads its operating system and windows environment. If self test fails to complete and an error message is displayed, try powering down the computer for a couple of minutes and turning power back on to repeat self test. If the error message persists, refer to Section 5 for troubleshooting information.

---

**Note:** Refer to the *Extensa 660 Series Notebook Computer User's Guide* for additional information.

---



# 3 Operating Instructions

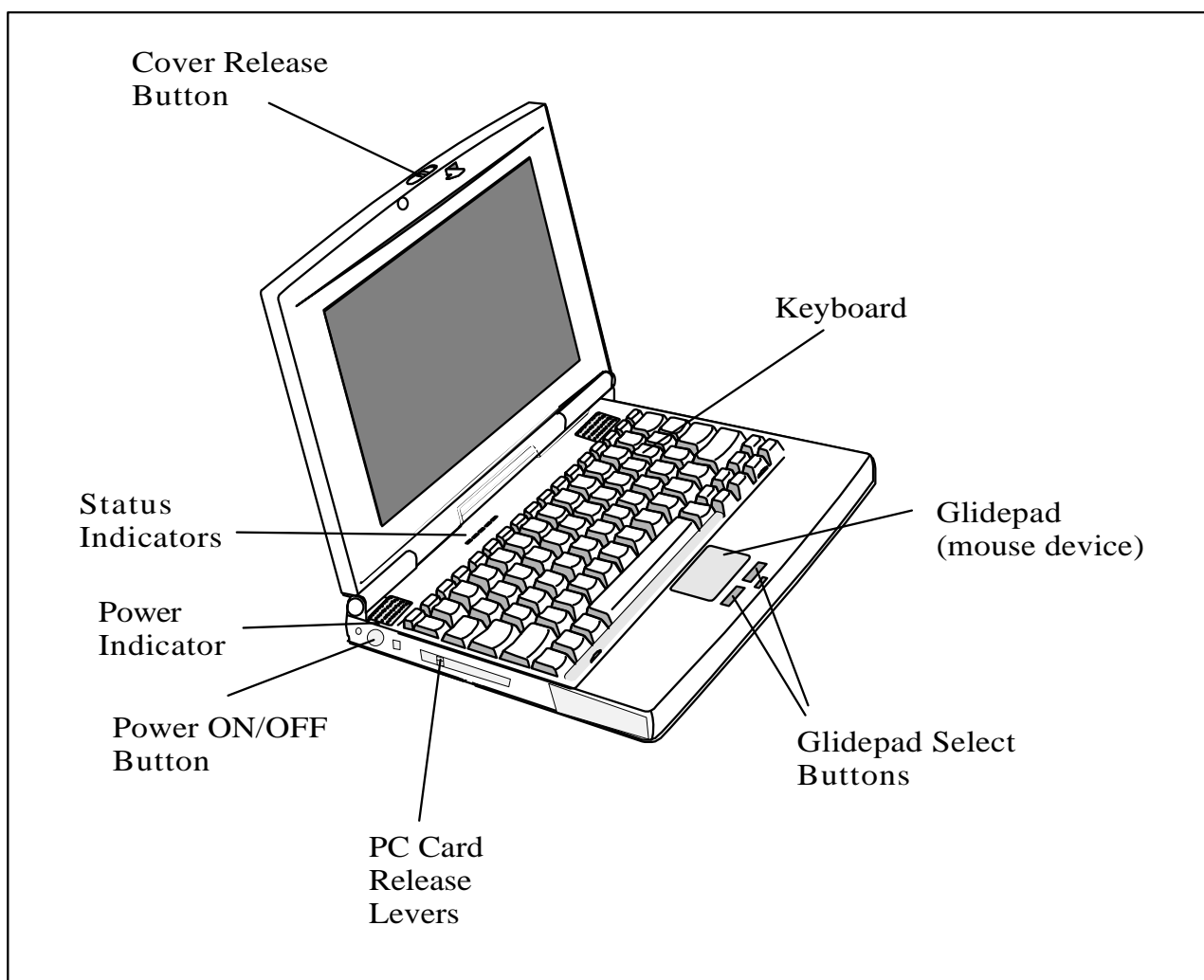
---

## 3.1 Introduction

This section contains a summary of notebook operating procedures useful for maintenance operations. For additional detail, refer to the *Extensa Series Notebook Computer User's Guide* supplied with the notebook.

## 3.2 Controls/Indicators

The operating controls and indicators for the 660 Series Notebooks are shown in Figure 3-1 and briefly described in the following paragraphs.



**Figure 3-1 Operating Controls and Indicators**

---

---

### 3.2.1 Power On/Off Switch

The notebook contains an alternate action power switch located on the left side of the notebook as shown in Figure 3-1. The first time you press the power switch, power is turned on to the notebook. The next time you press the power switch, power is turned off.

### 3.2.2 Notebook LEDs





The notebook contains the following LED Indicators:

- ◆ Power On/Battery Charge and Battery Low (Blinking) Indicator
- ◆ HDD Indicator
- ◆ Battery/ Battery Low Indicator (flashing)
- ◆ Caps Lock Indicator
- ◆ Num Lock Indicator
- ◆ Suspend Mode Indicator
- ◆ Standby Mode Indicator




### 3.2.3 LED Icons

Table 3-1 contains a listing and description of Extensa LED Icons:

**Table 3-1 LED Icon Descriptions**

Icon	Description
	<b>Disk Media Indicator</b> Lights when the computer writes to or reads from the floppy disk drive, or reads from the CD-ROM drive.
	<b>HDD Indicator</b> Lights when the computer writes to or reads from the hard disk drive.
	<b>Power/Battery-low Indicator</b> Lights when the computer is on and there is power to the computer. Flashes when the battery power is low. Connect a powered AC adapter to the computer as soon as possible.
	<b>Caps Lock Indicator</b> Lights when the caps lock function is toggled ON using the Caps Lock Key.

**Table 3-1 LED Icon Descriptions**

Icon	Description
	<b>Num Lock Indicator</b> Lights when the embedded numeric keypad is toggled ON using the Num Lock hot key ( <b>Fn+F7</b> ). Refer to <i>Using the Internal Numeric Keypad</i> section for further details.
	<b>Suspend Mode Indicator</b> Lights when the computer is in Suspend mode. Flashes when the computer is in the 5V Suspend mode. The computer enters the 5V Suspend mode when you press the 5V Suspend hot key ( <b>Fn+F3</b> ), the <b>5 Volt Suspend Timeout</b> parameter in Setup is enabled and expires, or the display is closed.
	<b>Standby Mode Indicator</b> Lights when the computer is in the Standby mode. The computer enters the Standby mode if the Standby hot key ( <b>Fn+F3</b> ) is pressed or the <b>Standby Timeout</b> parameter in Setup is enabled and expires.

### 3.2.4 Keyboard Hot Key Sequences

Table 3-2 contains a summary of keyboard hot key sequences useful when performing maintenance operations.

**Table 3-2 Summary of Notebook Hot Key Sequences**

Function	Key Sequence
CMOS Setup	<b>Fn+F1</b>
Enter 0V Suspend Mode	<b>Fn+F2</b>
5 Volt Suspend	<b>Fn+F3</b>
Enter Standby Mode	<b>Fn+F4</b>
Resume from Standby Mode	Press any key
Scroll Lock	<b>Fn+F6</b>
Numeric Lock	<b>Fn+F7</b>
Turn off the LCD backlight	<b>Fn+F11</b>
Turn on the LCD backlight	Press any key
Alternate between display modes (LCD, Ext.I CRT or both)	<b>Fn+F12</b>
Decrease LCD screen brightness	<b>Fn+Down Arrow</b>
Increase LCD screen brightness	<b>Fn+Up Arrow</b>
Lighten LCD screen contrast	<b>Fn+Right Arrow</b>
Darken the LCD screen contrast	<b>Fn+Left Arrow</b>
Exit 0V Suspend Mode	Press Power switch

---

**Table 3-2 Summary of Notebook Hot Key Sequences**

Function	Key Sequence
Toggle speaker output on/off	<b>Fn+End</b>
Stop a command or application	<b>Ctrl+Pause</b>
Resume a command or application	Press any key
Send the contents of the screen to the printer	<b>Shift+PrtSc</b>
Sets the notebook to echo keystrokes to the printer; prints a line when you press <b>Enter</b> ; continues until you press <b>Ctrl+P</b>	<b>Ctrl+P</b>
Enable/disable the internal keypad	<b>Fn+T</b>
Warm boot	<b>Ctrl+Alt+Del</b>
Start	Windows logo key
Display the application's context menu	Application key

**Table 3-3 Hot Keys Available on Attached External keyboard**

Function	Key Sequence
System Setup	<b>Ctrl+Alt+F1</b>
0V Suspend	<b>Ctrl+Alt+F2</b>
5V Suspend	<b>Ctrl+Alt+F3</b>
LCD/CRT Toggle	<b>Ctrl+Alt+F12</b>
Speaker Toggle	<b>Ctrl+Alt+S</b>

### 3.2.4.1 Windows 95 Special Keys

Pressing the Windows Logo Key acts as the Start button. Pressing this key in combination with other keys performs special functions. Table 3-4 contains several examples of using the Windows 95 special keys.

**Table 3-4 Windows 95 Special Keys**

Hot Key	Function
Windows Logo Key+ <b>Tab</b>	Activates next Taskbar button
Windows Logo Key+ <b>E</b>	Explore my Computer
Windows Logo Key+ <b>F</b>	Find Document
Windows Logo Key+ <b>M</b>	Minimize All
Windows Logo Key+ <b>R</b>	Display Run dialog box

Pressing the Application Key displays the context menu for an application. This is the same as clicking the secondary (right) mouse button.

---

Refer to your Windows 95 manual for more information on these Windows 95-specific keys and their functions.

### 3.2.4.2 DOS Special Keys

Table 3-5 contains a list of the DOS special keys.

**Table 3-5 DOS Special Keys**

Hot Key	Function
<b>Ctrl+Pause</b>	Stops a command or application; primarily used to stop the screen from scrolling; pressing any other key resumes the execution of the command or application.
<b>Shift+Prt Sc</b>	Sends the contents of the screen to the printer port; prints only text characters unless you have run the <b>Graphics.com</b> utility to enable printing graphics.
<b>Ctrl+Break</b>	Terminates the current command or application.
<b>Ctrl+P</b>	Sets the computer to echo keystrokes to the printer; prints a line when you press <b>Enter</b> ; continues until you press <b>Ctrl-P</b> again.
<b>Ctrl+Alt+Del</b>	Terminates all programs, reloads MS-DOS and executes the <b>Autoexec</b> file; also called the "warm start" or "warm boot".

## 3.3 Configuring the Glidepad

You can personalize the control of the glidepad by configuring various settings using the Synaptics® Glidepad utility. Configure the glidepad using the Mouse utility located in the Control Panel Window. Follow these steps to configure the Glidepad:

### In Windows 95

1. Select the **Start** button, then select **Settings**.
2. Select **Control Panel** to display the Control Panel window.
3. Double-click on the **Synaptics Glidepad** icon.
4. Select the glidepad tab to customize the glidepad to your preference.
5. Click on **Enhancements** to bring up additional features and to get to the online help for the Synaptics Glidepad drivers.

### In Windows for Workgroups

1. From the **Program Manager** double-click on the **Main** program group.
2. Double-click on the **Control Panel** icon.
3. Double-click on the **Synaptics Glidepad** icon.

- 
4. Select the glidepad tab to customize the glidepad to your preference.
  5. Click on **Help** for the Synaptics Glidepad drivers online documentation.

## 3.4 Using a CD-ROM Drive

An optional CD-ROM drive installed in the modular bay of the computer provides fast access to text, programs, graphics, sound, animation and video on a standard CD. (With an optional MPEG PC Card installed, you can play back approximately 75 minutes of MPEG1-compressed, full-motion video from a CD.)

### 3.4.1 Auto Speed/Max Speed Settings

The CD-ROM drive has a switch that selects either **Auto-Speed** or **Max-Speed** operation. At Max Speed setting, some CDs vibrate and cause errors. In the Auto-Speed setting, the drive can adjust the speed of the CD-ROM for optimum reading. The switch is accessible when the CD-ROM disc tray is extended.

### 3.4.2 Inserting a CD into the Drive

1. Press the eject button on the front of the CD-ROM drive to eject the disc tray.
2. Slide out the disc tray.
3. Place the CD, label side up, in the depression on the disc tray.
4. Slide the disc tray into the drive.

### 3.4.3 Handling CDs

Follow these guidelines to avoid damaging your CDs:

- ◆ When removing a CD from its protective case or loading a CD into a drive, hold the CD by its central hole and outer edge. Never touch the data surface (non-label side).
- ◆ To protect the CD against scratches and dirt when not in use, keep the CD in its protective case.
- ◆ Clean a CD with a clean, dry, lint-free cloth. Always wipe from the center to the edge. Don't wipe the CD in a clockwise or counterclockwise direction.
- ◆ Keep CDs away from high temperatures and direct sunlight.

## 3.5 Built-in Sound System

The Extensa 660 Series Notebook comes with an internal microphone and stereo speakers. These features give direct sound generation and recording capability in the system.



---

### 3.5.1 Adjusting the Volume

To adjust volume on your computer, press the following keys:

- ◆ **Fn+PgUp:** Increases speaker volume
- ◆ **Fn+PgDn:** Decreases speaker volume
- ◆ **Fn+End:** Turns mute On/Off

### 3.5.2 Sound Software

The computer has pre-installed sound support utilities in the **AudioRack32** group. These include:

- ◆ AudioRack™32
- ◆ Audio Recorder

### 3.5.3 External Sound Equipment

You can improve the quality of sound production and increase convenience by connecting external sound equipment.

The computer has the following jacks for connecting to external sound equipment:

- ◆ Microphone Input
- ◆ Stereo Headphone/Speaker Line Output
- ◆ Stereo Line Input

## 3.6 Using Remote Connections

The computer can send and receive e-mail, surf the Internet, connect to one of the online services or share files with other office employees.

The Extensa communicates with the outside world in one of the following ways:

- ◆ Over a telephone line using a PC Card modem installed in the computer
- ◆ Over a network using a network adapter

---

**Note:** You can purchase compatible modems and network adapters from your dealer or directly from Texas Instruments.

---

---

### 3.6.1 Using the Fast Infrared (FIR) Port

The FIR port, located on the rear of the computer, offers wireless communication with other Texas Instruments notebook computers or a variety of IRDA-compliant devices. Without a physical connection, you can print remotely, transfer files between computers, use a remote mouse during a presentation or receive information from a PDA or pocket organizer. To transfer a file follow these steps:

Align the FIR ports of the two devices making sure that the distance separating them is between six inches and three feet (one meter).

### 3.6.2 Using Zoomed Video Features

Your computer supports Zoomed Video (ZV) PC Cards through the PC Card slots. ZV PC Cards connect to the internal ZV port, allowing advanced multimedia capabilities such as video conferencing and on-screen television at full, smooth motion. The Zoomed Video port adds a dedicated video bus that provides a direct link between a PC Card and the VGA accelerator or audio DAC. This “detour” lets video and audio data bypass the PCI bus, reducing bandwidth impositions and improving system performance for more fluid audio and video.

### 3.6.3 MPEG PC Card

The optional MPEG PC Card uses the Zoomed Video port built into the computer to display MPEG video and audio on the computer. The MPEG card features MPEG-1 video playback with 16.7 million colors, MPEG-1 audio layers I and II, is MPC3 compliant and Windows 95 Plug and Play. With this option you can run full-motion video, combined with digital audio, graphics, text and data, enabling you to create far more effective presentations or play the most advanced video games.

## 3.7 Battery Saving Tips

There are a number of actions you can take to reduce the rate at which your computer depletes the battery. By taking some or all of these actions, you can substantially increase the time you can operate on battery power before recharging the battery:

- ◆ Reducing screen brightness — Although the screen controller uses new technology to increase brightness without increasing energy consumption, the screen is still the largest single consumer of the battery charge. Reducing the brightness to the lowest acceptable level increases battery life. To reduce the brightness, press **Fn+↓**.
- ◆ Caching the hard disk — By caching the hard disk, you can reduce the length of time the hard disk is rotating and using energy. Both Windows 95 and Windows for Workgroups use a disk-caching program by default. As long as you have not disabled these programs, you can take advantage of the battery savings.

---

### 3.7.1 Lowering Inactivity Timeouts

Inactivity timeouts turn off devices in the computer when you are not using them. Lowering the inactivity timeouts shortens the period of time the computer waits before turning off the device.

### 3.7.2 Suspending Operation While Idle

Although the computer goes into Suspend mode automatically after a defined period of inactivity, you can reduce energy consumption even further by pressing either **Fn+F3 (Suspend)** or **Fn+F4 (Standby)** as soon as you no longer need the computer to be active.

- ◆ Pressing **Fn+F4 (Standby)** turns off the screen.
- ◆ Pressing **Fn+F3 (Suspend)** turns off the screen, stops the hard disk, and reduces energy usage to the lowest level possible without turning off the computer.
- ◆ Pressing the **Shift** key resumes activity after the notebook has been in either the Suspend or Standby modes.

### 3.7.3 Responding to a Low Battery Condition

When you are operating the computer on battery power and the charge remaining is down to between 10% and 20%, the battery-low indicator blinks and an audible alarm sounds. When this happens you should take the following actions to conserve battery power and reduce the possibility of data loss.

- ◆ Saving files — Save all open files frequently while the computer is in a low-battery condition.
- ◆ Turning off the alarm — Turn off the audible alarm by pressing **Fn+End (Mute)**.
- ◆ Reducing screen brightness — Reduce screen brightness by pressing **Fn+↓**.
- ◆ Connecting the AC adapter — If you have access to AC power, connect the computer to the AC adapter. You can do this without turning off the computer.
- ◆ Suspending operations — Press **Fn+F3** or **Fn+F4** to put the computer into Suspend or Standby mode whenever you are not actively using the computer. Press the **Shift** key to bring the computer out of Suspend or Standby mode.

---

### 3.7.4 Replacing the battery

If you have a spare, charged battery, you can do one of the following.

- ◆ Insert a secondary battery into the modular bay.
- ◆ If you already have a battery in the modular bay, you can replace the primary battery without turning off the computer.
- ◆ If you cannot insert the spare battery into the modular bay, suspend operations to disk by pressing **Fn+F2** and replace the battery. When you turn on the computer, the computer returns to the saved state.

### 3.7.5 Saving to Disk

When the battery power becomes critically low (less than 5% charge remaining), the computer saves the current state of the computer to disk and turns off. When you turn the computer on again, the computer restores the state that was saved to disk.

## 4.1 Introduction

This section contains a general block diagram theory of operation description of the Extensa 660 Series Notebook Computers.

---

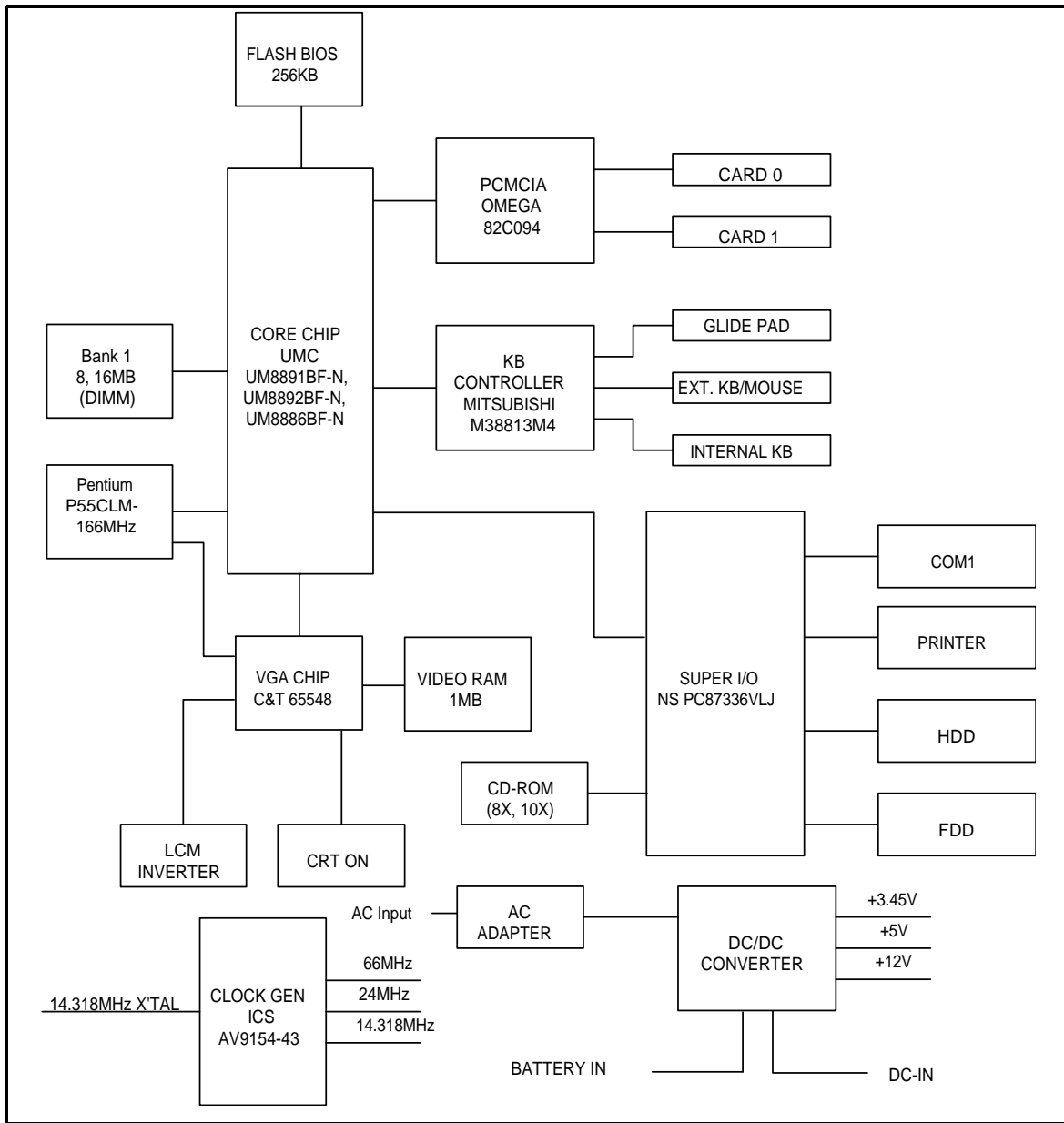
**Note:** Various internal components may change on future models and busses/bus speeds are subject to change.

---

## 4.2 Notebook Functional Overview

The Extensa 660 Series Notebooks consist of eight major functions or sections including:

- ◆ System Processor — implemented on the System Board Assembly
- ◆ Memory Subsystem — implemented on the System Board Assembly
- ◆ I/O Subsystem — implemented on the I/O Board
- ◆ Keyboard Subsystem — implemented on the System Board Assembly and the Keyboard Assemblies
- ◆ Video Subsystem — implemented on the I/O Board, LED Board, and LCD Display Panel
- ◆ Sound Subsystem — implemented on the System Board Assembly.
- ◆ Glidepad Mouse Subsystem — implemented on the Glidepad assembly and on the System Board Assembly
- ◆ Hard Disk Drive Subsystem — implemented on the System Board Assembly and the Hard Disk Drive Assembly
- ◆ Floppy Disk Drive Subsystem — implemented on the System Board and Floppy Disk Drive Assembly
- ◆ PCMCIA Controller and Sockets — implemented on the System Board
- ◆ CD-ROM Subsystem — implemented on the System Board and the CD-ROM
- ◆ Power Subsystem — implemented on the Power Supply Board, Inverter Board, battery packs, and AC adapter



**Figure 4-1 Extensa Functional Block Diagram**

---

## 4.2.1 System Processor

The System Processor function for the notebook is implemented on the System Board in the form of an Intel Pentium P55CLM 166 MHz Super scalar 586 Processor Chip. The processor operates in conjunction with RAM and ROM Memory and other control logic to process software instructions (BIOS, DOS, Windows, and applications). The processor communicates with the hard disk drive and the memory components using high speed busses.

The Processor also interacts with other hardware logic to provide the power savings features for the notebook. These features include controlling CPU clock speeds, reducing clock speeds whenever possible, e.g., when performing floppy disk drive accesses, powering down unused devices, etc.

## 4.2.2 Memory Subsystem

The memory subsystem comprises the following components:

- ◆ Main memory
- ◆ L2 Secondary Memory (cache)
- ◆ Flash ROM

The Extensa Series uses fast Extended Data Out (EDO) DRAM for main and video memory and high-speed synchronous, pipelined burst SRAM for L2 cache memory. Main BIOS and Video BIOS are stored in Flash ROM.

### 4.2.2.1 Main Memory

The standard 660 Series notebook comes with 16 MB of Main memory installed on the System Board. Memory expansion accommodations are provided via a standard soDIMM connector on the bottom of the System Board Assembly. By installing a 64 MB soDIMM module, the basic memory size can be expanded to a maximum of 80 MB.

### 4.2.2.2 Flash ROM

All versions of the Extensa notebook family use a "Flash" ROM that contains both the main system BIOS and the VGA BIOS. The Flash ROM contains "Boot Block" logic that allows downloading new versions of BIOS without destroying the Boot Load area.

The Flash ROM execution RAM is 8 bits wide. However, better performance is attained by enabling the Shadow. With this feature enabled, BIOS is copied into a 32-bit, high-speed system.

## 4.2.3 System Controller Function

The system controller function is implemented on the System Board via a UMC 8890 Series Notebook Chipset. The UM8890 is an advanced 586 compatible single chip that integrates such functions as the PMU, System Controller, RTC and Peripheral

---

Controller (206) into a single 208 QFP package.

Major features of the System Logic Controller include:

◆ System:

- Fully compatible with IBM PC/AT
- Supports PCI Bus-Master mode
- System Operation Voltage from 3V to 5.5V
- Three programmable non cacheable regions
- Flash ROM Boot block erase protection
- Supports general purpose I/O
- Hybrid Voltage

◆ Integration:

- Built-in 206
- Built-in 146818A
- Built-in Memory Controller

◆ Memory Controller:

- Supports ROM DOS up to 64 MB by XIP, 16 MB by EMS
- Supports Shadow RAM from C0000-FFFFFF
- Supports SLOW and SELF Refresh DRAM
- Supports Stagger Refresh
- On-board memory up to 48 MB
- Supports Three Memory Banks
- Supports Page Mode/Burst mode operation
- Supports 512 KB x 8, 1M x 4, 1M x 16, 2M x 8 and 4M x 4 type DRAM
- Supports 8- or 16-bit ROM configuration
- Programmable DRAM timing for each bank

◆ Power Management:

- Supports up to Ten Programmable PMC Outputs
- Supports Multiple Power Saving Mode
- Full On Mode



- 
- On Mode
  - Doze Mode
  - Sleep Mode
  - Suspend Mode
  - Auto Power Reduction Mode (APR)
  - Word Processing Mode (WP)
  - All Register Read/Writeable for 0V Suspend
  - Microsoft APM Compatible
  - Supports 0V Suspend
  - Demand Driven Clock Control
  - Supports Resume/Suspend Key
  - Auto Wake-Up Function
  - Three Low Battery Monitor Input
  - System Operating Voltage from 3V to 5.5V
  - Low Power Consumption (at 3.3V)
    - 50mA at Full On Mode
    - 25mA at Doze Mode
    - 100 $\mu$ A at SUSPEND Mode
    - 15 $\mu$ A at POWER-OFF Mode with RTC active

#### **4.2.4 Video Subsystem**

The video subsystem is implemented on the VGA Video Board and on the System Board Assemblies.

The notebook contains a built-in 10.4-inch (or larger) LCD and features simultaneous LCD and external VGA display.

The video subsystem includes a 1.5 MB DRAM memory, 32-bit DRAM bus, and separate display and memory clocks. An additional frame buffer/accelerator DRAM increases the available memory band width for CPU accesses. The video section also uses additional levels of write FIFOs, a read cache, page mode DRAM.

#### **4.2.5 Sound Subsystem**

The Extensa Series Notebook is equipped with a sound chip set that is Sound Blaster™ and Sound Blaster Pro compatible. Internal stereo speakers provide the Notebook with sound generation capabilities. A set of 3.5 mm connectors allow for

---

external microphone and line inputs and headphone/speaker outputs.

The sound subsystem also includes a variety of sound utilities that combine to provide additional multi-media functions:

## **4.2.6 Keyboard Subsystem**

The keyboard subsystem, implemented on the Keyboard Assembly and the System Board Assemblies Board, consists of the following major sections:

- ◆ Keyboard Assembly
- ◆ Keyboard Scanner
- ◆ Status LED Interface

## **4.2.7 Hard Disk Drive Subsystem**

The Hard Disk Drive Subsystem, implemented on the System Board and on the associated hard disk drive module(s), provides disk storage for all system software and user files.

The notebook is equipped with a high-capacity hard disk drive. The hard disk drive also features built-in power conservation features configured from the standard CMOS Setup Routine. An Automatic Power Down mode can be selected which powers down the drive motor during periods of inactivity. An additional level of power conservation may also be selected which powers down the motor plus all control circuits.

The hard disk drives are factory formatted as a single drive (Drive C:) and are preloaded with installation versions of Windows 95 or Windows for Workgroups (in dual load versions, the user selects the operating system during software installation).

### **4.2.7.1 Hard Disk Drive Power Management**

Both the internal hard disk drive and the hard disk drive installed in the media bay implement power savings features. From the CMOS setup routine, an automatic power down mode can be selected which enables the drive to turn off its motor after a specified period of inactivity. Additional Sleep modes can direct additional power savings during inactive periods by powering down the control circuitry.

## **4.2.8 Floppy Disk Drive Subsystem**

The Extensa 660 is equipped with a 3.5-inch floppy disk drive in the media bay that can read/write standard 3.5-inch disks (either 1.44 MB or 2 MB capacity). The drive can also read a 720 KB disk (for interchange of data with other computers).

The data transfer rate for the floppy disk drive is 500 Kbits per second for high-density disks and 250 Kbits per second for double-density disks.

---

## 4.2.9 Power Subsystem

The notebook is equipped with a software/hardware monitored/controlled Power Subsystem that minimizes battery usage for prolonged battery operation and automatically recharges the batteries when the notebook is used with an AC adapter.

### 4.2.9.1 AC Power Adapter

The computer is equipped with a universal AC power adapter that converts AC voltage into DC voltage (approx. 46 Watts of power) used to operate the notebook and charge the batteries. The specifications for the AC adapter include:

- ◆ Input Voltage: 100 to 250 VAC
- ◆ Input Current: Approximately 1.5 Amps
- ◆ Input Frequency: 50 to 60 Hz



# Troubleshooting Procedures **5**

---

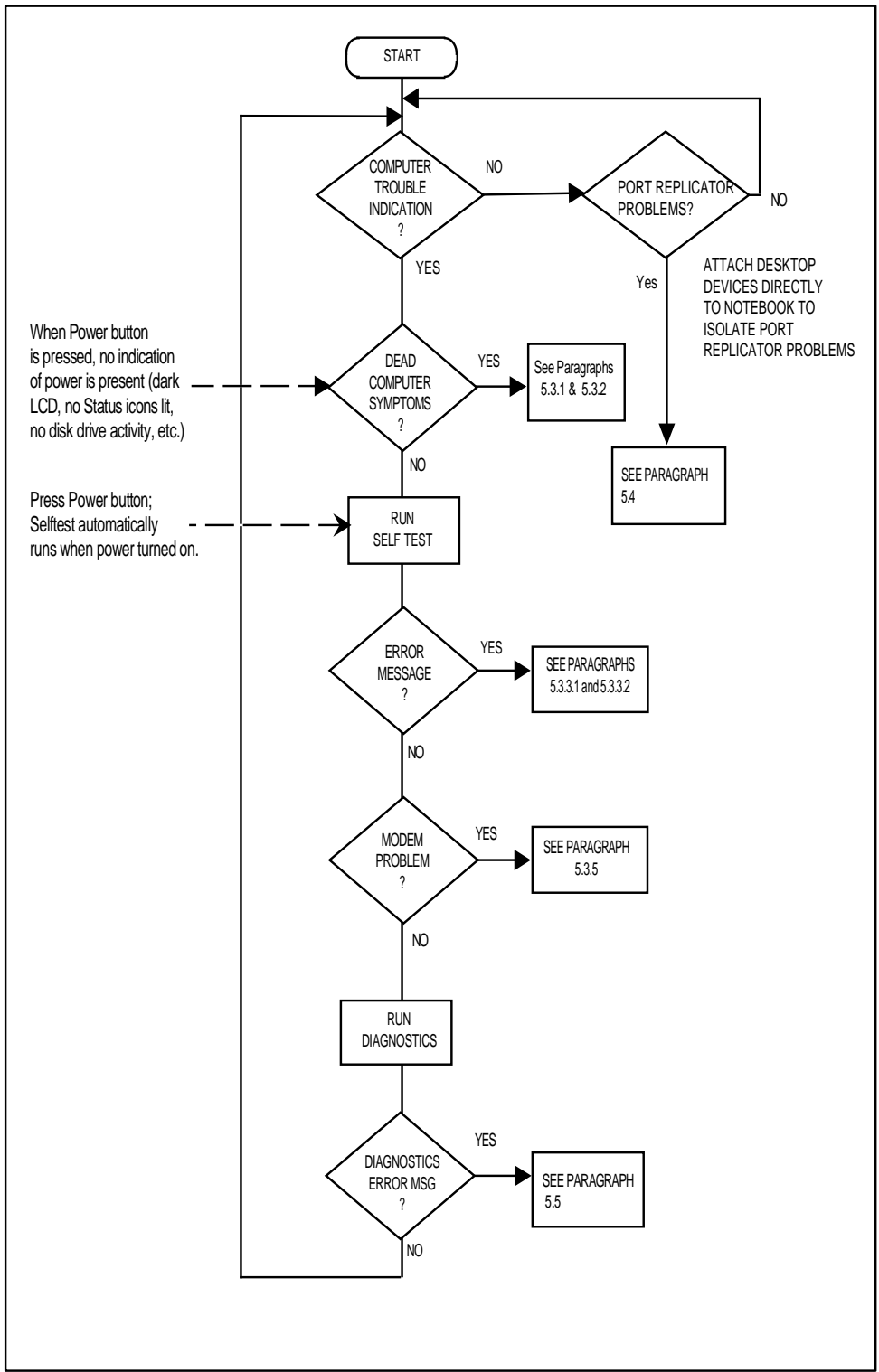
## 5.1 Introduction

This section provides an overview of the fault isolation process, provides guidelines for isolating 660 Series computer malfunctions to replaceable subassemblies and provides instructions for executing diagnostics and interpreting error messages.

## 5.2 Overview of Fault Isolation Process

The fault isolation process (summarized in Figure 5-1) consists of the following steps:

- ◆ Checking the Notebook power system (including battery packs and AC adapter connections) - refer to Paragraph 5.4.
- ◆ Checking Switch settings (ensuring **Power** is On)
- ◆ Pressing the **Shift** key to ensure that Notebook is not in **Suspend mode**
- ◆ Verifying if computer is configured to boot from the A: Drive or C: Drive.
- ◆ Checking LCD brightness adjustment (press **Fn-Up Arrow** keys to increase brightness)
- ◆ Ensuring that computer is not set for external monitor (press **Fn-F12** to select internal screen)
- ◆ Recording and attempting to resolve any displayed error messages or error beeps (refer to Paragraph 5.3.3.1 and Tables 5-1 and 5-2)
- ◆ Rebooting the system (**Ctrl-Alt-Del**)
- ◆ If the computer is capable of running the Setup program; checking the serial and parallel port configurations, Sound System enable/disable, and other features that may affect system operation.
- ◆ Running PC-Doctor Diagnostics to further isolate problem area (refer to Paragraph 5.5). For indicated hardware failures, cycling power and repeating self test to verify that a hard failure has occurred.
- ◆ Removing and replacing suspect hardware (as described in Section 6 of this manual) and retest the system using the diagnostic tests as described in Paragraph 5.5.



**Figure 5-1 Notebook Computer Troubleshooting Flow Chart**

---

## 5.3 Troubleshooting Procedures

The built-in self test program and the disk resident diagnostics program (PC-Doctor) are useful tools in computer troubleshooting. However, if the computer has a power, keyboard or display problem, you must first solve this problem before running diagnostics. If the computer powers up and displays messages on the LCD or emits a series of beeps, skip to Paragraph 5.3.3 for further instructions.

### 5.3.1 Troubleshooting a Power Supply Problem

If the computer does not power up when the Power Switch is set to the ON position, you most likely have a malfunction in the power subsystem (loss of power at the AC outlet, faulty AC adapter, discharged Battery Packs, or faulty Power Supply on the Main Board). With a power problem, all LEDs are extinguished, the LCD screen is blank, the system does not respond when the suspend switch is pressed several times consecutively and no drive activity can be heard. The computer is unable to load software and displays no visible signs of activity. To fault isolate a power problem, check the following:

- ◆ AC adapter and Battery - Plug in the AC adapter and double-check all connections on the adapter and computer. Ensure that the Notebook **Power** switch is set to the On position and that the system is not in **Suspend** or **Sleep** mode.
- ◆ Measure the voltage at the AC outlet or plug in a known good appliance (e.g., a lamp) to verify that voltage is present. If the voltage is ok, try replacing the AC adapter.
- ◆ Check to see that the battery packs are installed correctly and that the battery charge indicators on the front of the battery packs indicate the batteries are charged (try using a new battery pack if batteries are discharged).
- ◆ If the AC outlet voltage, AC adapter, and battery packs test normal but the computer will not power up, try disconnecting the display cable from the base (refer to Section 6 for disassembly instructions) to see if a short in the display assembly has occurred.
- ◆ If the display assembly appears to be normal, replace the Bottom Board as described in Section 6 and retest system.

### 5.3.2 Troubleshooting a Display Problem

If the LCD remains blank when you turn on the computer, and the status indicators light, check the following controls on the display:

- ◆ LCD suspend mode - Press **Shift** to terminate Suspend mode.
- ◆ Brightness set too low - Press **Fn-Up Arrow** keys to increase screen brightness
- ◆ Notebook Set for External Monitor - Press **Fn-F12** to switch to the internal screen.

- ◆ Faulty LCD - Replace the cover-display assembly as described in Section 6 of this manual.
- ◆ Low battery - Use a fully charged battery and/or plug in the AC adapter.

Table 5-1 contains fault isolation information for Display Problems on the notebook. Symptoms are listed along the left side of the chart and the various Display FRUs are listed along the top of the chart. Within the body of the table are the probabilities of each of the FRUs causing that particular problem. For example, a single display line on the screen is most likely caused by the LCD Panel or Display Cable; other components have a low probability of causing the problem.

**Table 5-1 Display Troubleshooting Guide**

<b>Problem Description</b>	<b>Inverter Board</b>	<b>LCD Panel</b>	<b>Display Cable</b>	<b>Mother Board</b>	<b>BIOS</b>
Single line on LCD display (horizontal or vertical)	Low	High	Medium	Low	Low
Multiple lines on display (horizontal or vertical)	Low	Medium	Medium	Low	Low
Sections of the display are missing characters	Low	Medium	Medium	Low	Low
Scrambled Display	Low	Medium	Low	Medium	Medium
Intermittent characters on display	Low	Medium	Medium	Medium	Low
Bright display, no visible characters	Low	Medium	Medium	Medium	Low
Brightness level fluctuating or display blinking on/off	High	Low	Medium	Low	Low
Display goes dim over time	High	Medium	Low	Low	Low
Dim display but characters very visible	Medium	Medium	Low	Low	Low
Very dark display and characters are slightly visible when a light is directed at surface of the display	High	Low	Low	Low	Low
Very dark display and no characters are visible	Low	High	High	Medium	Low



---

### 5.3.3 Fault Isolation Using Power On Self Test

When the computer is first powered up, it automatically performs a Power On Self Test (POST) that checks the notebook's central hardware and memory functions. During POST (which lasts for a few seconds), the display shows copyright and version number information.

---

**Note:** Some procedures in this paragraph require you to use keystroke sequences, such as **Ctrl-Alt-Del**. To execute a keystroke sequence such as this, you must press all three keys simultaneously.

---

#### 5.3.3.1 POST Error Messages

Upon successful completion of Power On Self Test, the computer automatically loads its operating system and other built-in utilities. If POST fails to complete successfully, the display shows one of the error messages described in Table 5-2.

---

**Note:** In the event of a hardware problem that affects the display, the Notebook also communicates errors via a series of beeps. The interpretation of the beep codes is provided in Table 5-3.

---

**Table 5-2 Power On Self Test Error Messages**

<b>Message</b>	<b>Possible Cause</b>	<b>Action</b>
<b>Diskette drive A failure</b>	The drive failed or is missing.	Check the drive to determine the problem.
<b>Diskette read failure - press F1 to retry boot, F2 for SETUP utility</b>	The disk is either not formatted or is defective.	Replace the disk with a bootable disk and retry.
<b>Display adapter failed, using alternate</b>	The primary video adapter failed.	Check the primary video adapter.
<b>Gate A20 failure</b>	The keyboard controller is not accepting command, specifically, the enable and disable A20 command.	Check the keyboard controller and system board. Turn the power off, then back on again. If the problem persists contact qualified service personnel.
<b>Fixed disk configuration error</b>	The specified configuration is not supported or doesn't match the actual hardware installed.	Correct the fixed disk configuration.
<b>Fixed disk controller failure</b>	The fixed disk may be defective.	Try rebooting. If that doesn't work, replace the fixed disk.
<b>Fixed disk read failure - press F1 to retry boot, F2 for SETUP utility</b>	The fixed disk may be configured incorrectly or is defective.	Check the drive type selected in SETUP. Try rebooting. If that does not work, replace the fixed disk.
<b>Pointer device failure</b>	The PS/2-style mouse failed.	Try rebooting. If problem persists, check the mouse, cable and connector.

**Table 5-2 POST Error Messages (continued)**

<b>Message</b>	<b>Possible Cause</b>	<b>Action</b>
<b>No boot device available - press F1 to retry boot, F2 for SETUP utility</b>	Either disk drive A:, the fixed disk, or both the disk and fixed disk are defective.	Try rebooting. If problem persists, replace the disk or the fixed disk.
<b>No boot sector on fixed disk - press F1 to retry boot, F2 for SETUP utility</b>	The C: drive is not formatted or is not bootable.	Format the C: drive and make it bootable.
<b>Not a boot diskette - press F1 to retry boot, F2 for SETUP utility</b>	The disk in drive A: is not formatted as a bootable disk.	Replace the disk with a bootable disk and try rebooting.
<b>No timer tick interrupt</b>	The timer chip has failed.	Check the system board. Turn the power off, then back on again. If the problem persists, contact qualified service personnel.
<b>Shutdown failure</b>	Either the keyboard controller is not accepting the reset command or the associated reset logic has failed.	Check the keyboard controller and system board. Turn the power off, then back on again. If the problem persists, contact qualified service personnel.
<b>Time of day not set - run SETUP program</b>	Real time clock not set.	Run the SETUP utility.
<b>Timer 2 failure</b>	The timer chip has failed.	Check the system board. Turn the power off, then back on again. If the problem persists, contact qualified service personnel.
<b>F2 to enter ROM-based SETUP</b>	Invalid configuration information must be changed.	You must run SETUP utility and correct configuration information.
<b>Invalid configuration information - please run SETUP</b>	Display adapter is configured incorrectly. Memory size is incorrect. Wrong number of disk drives. Other configuration errors.	Run the SETUP utility.

**Table 5-2 POST Error Messages (continued)**

Message	Possible Cause	Action
<b>Keyboard clock line failure</b>	The keyboard, the keyboard cable connection, or the keyboard controller is defective.	Make sure the keyboard cable and keyboard are connected properly. Check the keyboard controller and the system board. Turn the power off, then back on again. If the problem persists, contact qualified service personnel.
<b>Keyboard data line failure</b>	The keyboard controller firmware has failed.	Check the keyboard controller and system board. Turn the power off, then back on again. If the problem persists, contact qualified service personnel.
<b>Keyboard stuck key failure</b>	A key is jammed.	Locate the jammed key and fix it. Make sure the keyboard cable and keyboard are connected properly. Turn the power off, then back on again. If the problem persists, contact qualified service personnel.
<b>Memory failure at <i>hex-value</i>, read <i>hex-value</i>, expecting <i>hex-value</i></b>	Circuitry associated with the memory chips has failed.	Turn the power off, then back on again. If the problem persists, contact qualified service personnel.
<b>Unexpected interrupt in protected mode</b>	Hardware interrupt or NMI occurred while in protected mode.	Check the timer chip or the interrupt controller on the system board.
<b>Real time clock failure</b>	The RTC or battery failed.	Run SETUP and turn the power off and on. If the problem persists, replace the RTC battery. If the problem remains, contact qualified service personnel.

### 5.3.3.2 POST Beep Error Messages

In the event of a hardware problem that affects the display, the Notebook also communicates errors via a series of beeps. These codes may be heard over the system's speaker as three bursts of beeps. The interpretation of the beep codes is provided in Table 5-3.

To recover from a self test error, try cycling power to the computer. Also, press **Ctrl-Alt-Esc** to ensure that the Setup configuration is correct. In general, most of the failures are associated with the Upper and Lower Electronics Boards and may require board removal/replacement.

---

Try running PC-Doctor (Paragraph 5.5) if possible to verify the source of problem.

**Table 5-3 Self Test Beep Messages**

<b>Beep Code</b>	<b>Port 80h</b>	<b>Description</b>
None	01h	CPU Register Test in Progress
1-1-3	02h	CMOS Write/Read Failure
1-1-4	03h	ROM BIOS Checksum Failure
1-2-1	04h	Programmable Interval Timer Failure
1-2-2	05h	DMA Initialization Failure
1-2-3	06h	DMA Page Register Write/Read Failure
1-3-1	08h	DRAM Refresh Verification Failure
None	09h	1ST 64K RAM Test in Progress
1-3-3	0Ah	1ST 64K RAM Chip or Data line Failure
1-3-4	0Bh	1ST 64K RAM Odd/Even Logic Failure
1-4-1	0Ch	Address Line Failure, 1ST 64K RAM
1-4-2	0Dh	Parity Failure, 1ST 64K RAM
2-1-1	10h	Bit 0, 1ST 64K RAM Failure
2-1-2	11h	Bit 1, 1ST 64K RAM Failure
2-1-3	12h	Bit 2, 1ST 64K RAM Failure
2-1-4	13h	Bit 3, 1ST 64K RAM Failure
2-2-1	14h	Bit 4, 1ST 64K RAM Failure
2-2-2	15h	Bit 5, 1ST 64K RAM Failure
2-2-3	16h	Bit 6, 1ST 64K RAM Failure
2-2-4	17h	Bit 7, 1ST 64K RAM Failure
2-3-1	18h	Bit 8, 1ST 64K RAM Failure
2-3-2	19h	Bit 9, 1ST 64K RAM Failure
2-3-3	1Ah	Bit A, 1ST 64K RAM Failure
2-3-4	1Bh	Bit B, 1ST 64K RAM Failure
2-4-1	1Ch	Bit C, 1ST 64K RAM Failure
2-4-2	1Dh	Bit D, 1ST 64K RAM Failure
2-4-3	1Eh	Bit E, 1ST 64K RAM Failure
2-4-4	1Fh	Bit F, 1ST 64K RAM Failure
3-1-1	20h	Slave DMA Register Failure

**Table 5-3 Self Test Beep Messages**

Beep Code	Port 80h	Description
3-1-2	21h	Master DMA Register Failure
3-1-3	22h	Master Interrupt Mask Register Failure
3-1-4	23h	Slave Interrupt Mask Register Failure
None	25h	Interrupt Vector Loading In Progress
3-2-4	27h	Keyboard Controller Test Failure
None	28h	CMOS Power Failure and Checksum in Progress
None	29h	CMOS Configuration Validation in Progress
3-3-4	2Bh	Screen Memory Test Failure
3-4-1	2Ch	Screen Initialization Failure
3-4-2	2Dh	Screen Retrace Test Failure
None	2Eh	Search for Video ROM in progress
1-2	2Eh	Cirrus Video Chip Failure
1-3	2Eh	Cirrus RAM DAC or Video RAM Failure
None	30h	Screen Believed Operable; running with Video ROM
None	31h	Monochrome Monitor Believed Operable
None	32h	Color Monitor (40 Column) Believed Operable
None	33h	Color Monitor (80 Column) Believed Operable
4-2-1	34h	No Time Tick
4-2-2	35h	Shutdown Failure
4-2-3	36h	Gate A20 Failure
4-2-4	37h	Unexpected Interrupt in Protected Mode
4-3-1	38h	Memory High Address Line Failure at 010000h-0A0000h
4-3-3	3Ah	Timer Chip Counter 2 Failed
4-3-4	3Bh	Time of Day Clock Stopped
4-4-1	3Ch	Serial Port Failure
4-4-2	3Dh	Parallel Port Failure
4-4-3	3Eh	Math Coprocessor Failure

---

### 5.3.4 Run Time Error Messages

In the event of a hardware/software error that occurs after completion of POST, the error messages listed and described in Table 5-4 may occur.

**Table 5-4 Run Time Error Message Troubleshooting**

Message	Cause	Action
I/O card parity interrupt at <i>address</i> . Type (S)hut off NMI, (R)eboot, other keys to continue	Memory on a peripheral card has failed.	Check the memory cards installed in the system.
Memory parity interrupt at <i>address</i> . Type (S)hut off NMI, (R)eboot, other keys to continue	A memory chip(s) has failed.	Check the memory on the system board.
Unexpected HW interrupt, <i>interrupt at address</i> . Type (R)eboot, other keys to continue	Hardware problem. Not displayed if the expected interrupt handler is not enabled.	Check all hardware in the system.
Unexpected SW interrupt, <i>interrupt at address</i> . Type (R)eboot, other keys to continue	Error(s) in the software program. Not displayed if the extended interrupt handler is not enabled.	Turn the machine off and then on again. If doesn't work, check the program.
Unexpected type 02 interrupt at <i>xxxh</i> . Type (S)hut off NMI, (R)eboot, other keys to continue	A parity error occurred, but the source can not be determine.	Turn the power off and then on again.

### 5.3.5 PCMCIA Modem Problems

If an optional PCMCIA modem does not work properly, check the following items:

- ◆ Dialing problem or wrong number - Try dialing a number that you have previously dialed successfully.
- ◆ Faulty phone line - Connect a telephone to the line and listen for a dial tone.
- ◆ Software program - Check to ensure that you have installed the software correctly.

---

## 5.4 General Fault Isolation Procedures

Table 5-5 contains a summary of general problems that may occur during operation of the notebook and the appropriate corrective actions that should be taken for each. For other symptoms, go on to Paragraph 5.5 and troubleshoot the notebook using PC-Doctor Diagnostics. In the event of problems using a Port Replicator, try attaching all desktop devices to the notebook to isolate the problem to either the notebook or the port replicator. If available, substitute a known good Port Replicator to assist in troubleshooting.

**Table 5-5 General Troubleshooting Procedures**

Problem	Corrective Actions
No power	<ol style="list-style-type: none"><li>1. Check that the AC adapter is plugged into the power connector of the system. Also, check that the AC adapter is plugged into a properly grounded AC power outlet.</li><li>2. If using the battery as main power source, check if the battery pack is of the right type, charged, and is inserted correctly.</li><li>3. Check the powerboard of the system. Is it inserted into the motherboard connector properly. Otherwise, replace the powerboard.</li></ol>
Data on the LCD is unreadable	<ol style="list-style-type: none"><li>1. Adjust the brightness and contrast display controls.</li><li>2. Check if the LCD cables are inserted properly. Check also connections inside the LCD panel.</li><li>3. Check if installed VGA driver is correct.</li><li>4. Check VGA controller chip on the motherboard to see if there is any cold or loose soldering.</li><li>5. Replace the motherboard.</li></ol>



**Table 5-5 General Troubleshooting Procedures (continued)**

LCD screen does not show data	<ol style="list-style-type: none"><li>1. Check the LCD Status Bar if Suspend mode is activated. Press any key or press the power button to resume operation and display.</li><li>2. Check if LCD cables are disconnected or loose.</li><li>3. Check if the display output is switched to the external monitor.</li><li>4. Check if the Contrast level is set to minimum.</li><li>5. Check if there is power.</li><li>6. Replace the LCD Inverter board found inside the LCD Panel.</li></ol>
Battery Power does not last	<ol style="list-style-type: none"><li>1. Make sure that the power management features are enabled.</li><li>2. Recharge the battery pack for 1.5 hours before using again.</li><li>3. Replace the battery pack.</li></ol>
System halts during boot sequence	<ol style="list-style-type: none"><li>1. Check condition of selected bootload device (disk or hard disk) for bad boot track or incorrect OS files.</li><li>2. Try booting from a new bootable disk and recopy or repartition hard disk.</li><li>3. Check for any BIOS error messages on the display screen.</li><li>4. Replace motherboard.</li></ol>
I/O processing malfunctions	<ol style="list-style-type: none"><li>1. Check the connections of all internal devices.</li><li>2. Replace motherboard.</li></ol>
Diskette drive does not work	<ol style="list-style-type: none"><li>1. Check if floppy disk drive cable is connected properly.</li><li>2. Check disk type if correct and not faulty.</li><li>3. Replace disk drive.</li><li>4. Replace motherboard.</li></ol>
Hard disk drive malfunction	<ol style="list-style-type: none"><li>1. Check if hard disk drive is set properly on CMOS SETUP.</li><li>2. Check disk drive cables and connections.</li><li>3. Check if disk drive is good.</li><li>4. Replace the motherboard.</li></ol>

**Table 5-5 General Troubleshooting Procedures (continued)**

Memory malfunction	<ol style="list-style-type: none"><li>1. Check if the memory module is inserted properly.</li><li>2. Replace the memory module.</li><li>3. Replace the motherboard.</li></ol>
External keyboard or PS/2 mouse doesn't work	<ol style="list-style-type: none"><li>1. Check if the keyboard or the mouse are connected properly. Check if the Y-cable is being used. Power off system first before plugging in the device.</li><li>2. Replace the keyboard or mouse.</li><li>3. Replace the motherboard.</li></ol>
PCMCIA card does not work	<ol style="list-style-type: none"><li>1. Check the PCMCIA driver installation for any IRQ or IO address conflicts.</li><li>2. Check if the PCMCIA card is inserted properly and all connections are set.</li><li>3. Replace the PCMCIA card.</li><li>4. Replace the motherboard.</li></ol>
Mouse doesn't work	<ol style="list-style-type: none"><li>1. Check if PS/2 mouse driver is properly installed.</li><li>2. Check the keyboard controller chip for any cold or loosed soldering.</li><li>3. Replace the motherboard.</li></ol>
Serial device does not work	<ol style="list-style-type: none"><li>1. If using serial mouse, check if trackball option is disabled under CMOS Setup.</li><li>2. Check if mouse driver is installed properly.</li><li>3. Check if serial device is connected properly.</li><li>4. Replace serial device.</li><li>5. Check the I/O controller chip on the motherboard for any cold or loose soldering.</li><li>6. Replace the motherboard.</li></ol>
Parallel device does not work	<ol style="list-style-type: none"><li>1. Check if all connections are properly set.</li><li>2. Check if external device is turned on.</li><li>3. Check I/O controller chip on the motherboard for any cold or loose soldering.</li><li>4. Replace the motherboard.</li></ol>

---

## 5.5 Fault Isolation Using Diagnostics

PC-Doctor, supplied with the Extensa Series Notebooks, is a powerful diagnostics tool that can help you determine the hardware configuration of a local or remote system, benchmark its performance, analyze the performance of all subsystems, and perform a suite of interactive and non-interactive tests on attached devices (such as printers, joystick devices, VGA monitors, SCSI devices, CD-ROM drives). The test results are stored in a log which can be printed out or saved in a disk file.

### 5.5.1 PC-Doctor (In DOS Mode or DOS Windows)

Features of the diagnostic program are accessed through a series of pull-down menus and basic keyboard keys (cursor keys to move highlighted pointer, **Enter** key to select a highlighted feature, **Esc** key to cancel a function and move back one level.

PC-Doctor is typically user-friendly but if you don't understand a feature, context-sensitive "help" information is available at any time by pressing the **F1** function key; pressing the **F1** function key twice accesses the online Technical Reference Manual for PC-Doctor.

A powerful set of utilities within PC-Doctor (that can be run locally or remotely) simplify the task of determining system configuration data, allocating and using system memory, IRQ and DMA use, what device drivers are installed, what COM and LPT ports are assigned and what ports are available, identifying partitioning data for fixed disk drive(s), determining the VGA setup information, reading the software interrupts/interrupt vectors, etc.

Functionally, PC-Doctor includes the following:

- ◆ Group of non-Interactive diagnostic tests that perform a non-destructive test of the major hardware functions in the notebook (Processor, Memory, System board, video section, serial and parallel ports (when loopback adapters are installed), hard disk drive and floppy disk drive).
- ◆ Group of Interactive tests (require operator input) for testing the keyboard, video sections, sound subsystem, mouse, joystick, disk drive, printer subsystem and the SCSI/CD-ROM Drive subsystems supported by the docking station options.
- ◆ Utility that provides detailed system information such as configuration data, allocation and use of system memory, IRQ and DMA use, what device drivers are installed, what COM and LPT ports are assigned and what ports are available, partitioning data for fixed disk drive(s), VGA setup information, software interrupts and interrupt vectors, and installed SCSI options.

- 
- ◆ Group of special purpose utilities to run other tests from PC-Doctor, perform a virus scan of the system, edit configuration files, surface scan hard drives, measure system performance, open a DOS prompt, provides terminal access to devices connected to serial ports, supports memory debug operations, enables remote operations, permits deep discharge of notebook batteries and provides an extensive test reporting function.

## 5.5.2 Supporting Online Documentation

The PC-Doctor Diagnostic contains the following online information sources:

- ◆ **Online Technical Manual** - selected at any time by pressing **F1** key twice or by clicking on the Question Mark in the upper left hand corner of any PC-Doctor Menu
- ◆ **Online Help system** - provides context sensitive information from every PC-Doctor screen - accessed by pressing **F1** key once (pressing **F1** twice gets you into the online manual).

## 5.5.3 User Interface to PC-Doctor

PC-Doctor is structured as a text-mode, windowed user interface with pull-down menus. Program operation requires the use of the following keys:

- ◆ **Cursor Keys** - Moves the highlighted pointer
- ◆ **Enter Key** - Selects the highlighted option
- ◆ **Esc Key** - Cancels current function and goes back one step
- ◆ **F1 Key** - Activates the context-sensitive help feature (pressing **F1** twice in a row calls up the online Technical Reference Manual for PC-Doctor)

Scrolling windows, which show the results of various operations, use the following keys:

- ◆ **Page Up/Page Down** - Moves the screen one page at a time
- ◆ **F2** - Prints the log to PRN
- ◆ **F3** - Saves the log to a file

You can also use the mouse or Point to interact with PC-Doctor. The leftmost **Select** key is used to choose objects (menu entries and action codes typically enclosed in brackets). The rightmost **Select** key is equivalent to the **Esc** key which takes you back to your previous step.

---

## 5.5.4 Quitting PC-Doctor

To exit PC-Doctor, select the **Quit** pull down menu and then select the **Quit** option.

---

**Note:** For additional information, access the *Online Reference Manual* for PC-Doctor.

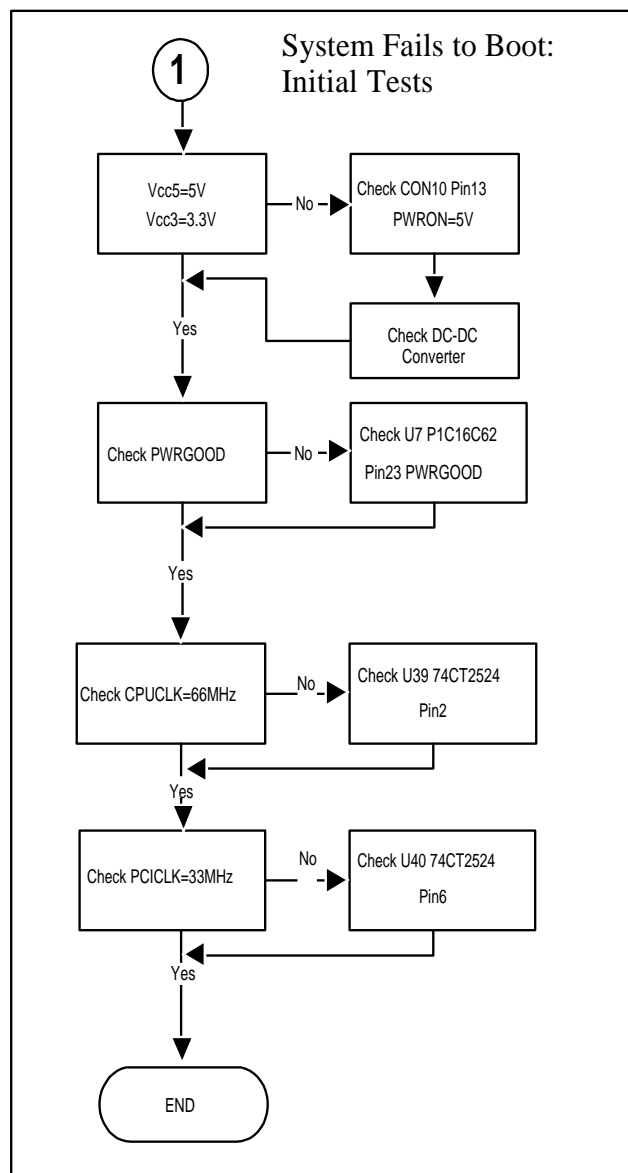
---

## 5.6 Board Level Troubleshooting Procedures

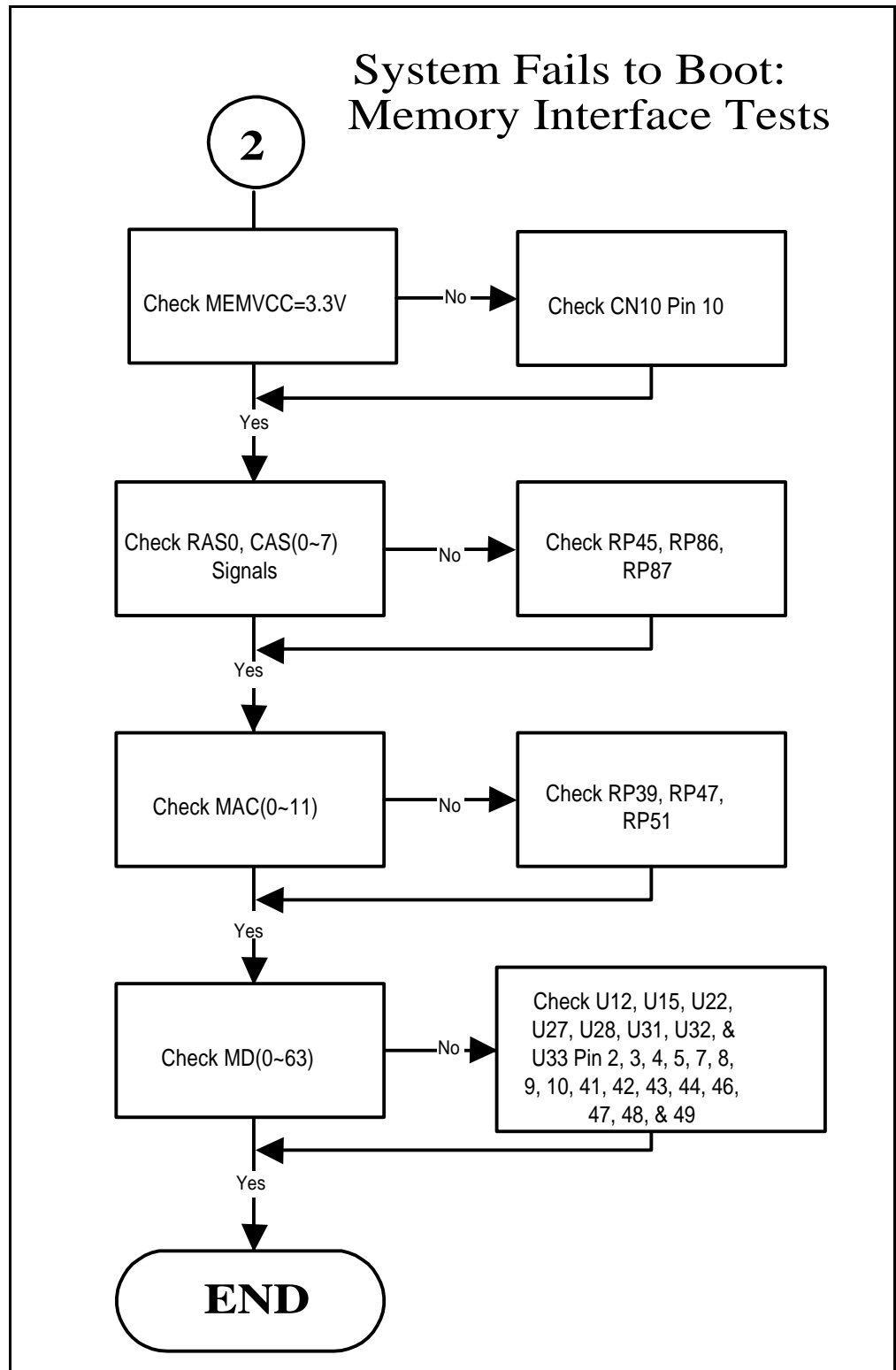
Figures 5-2 through 5-19 contain board-level troubleshooting procedures for the Extensa 660 Notebook. Table 5-6 contains a diagram index to the troubleshooting procedures:

**Table 5-6 Troubleshooting Flowchart Index**

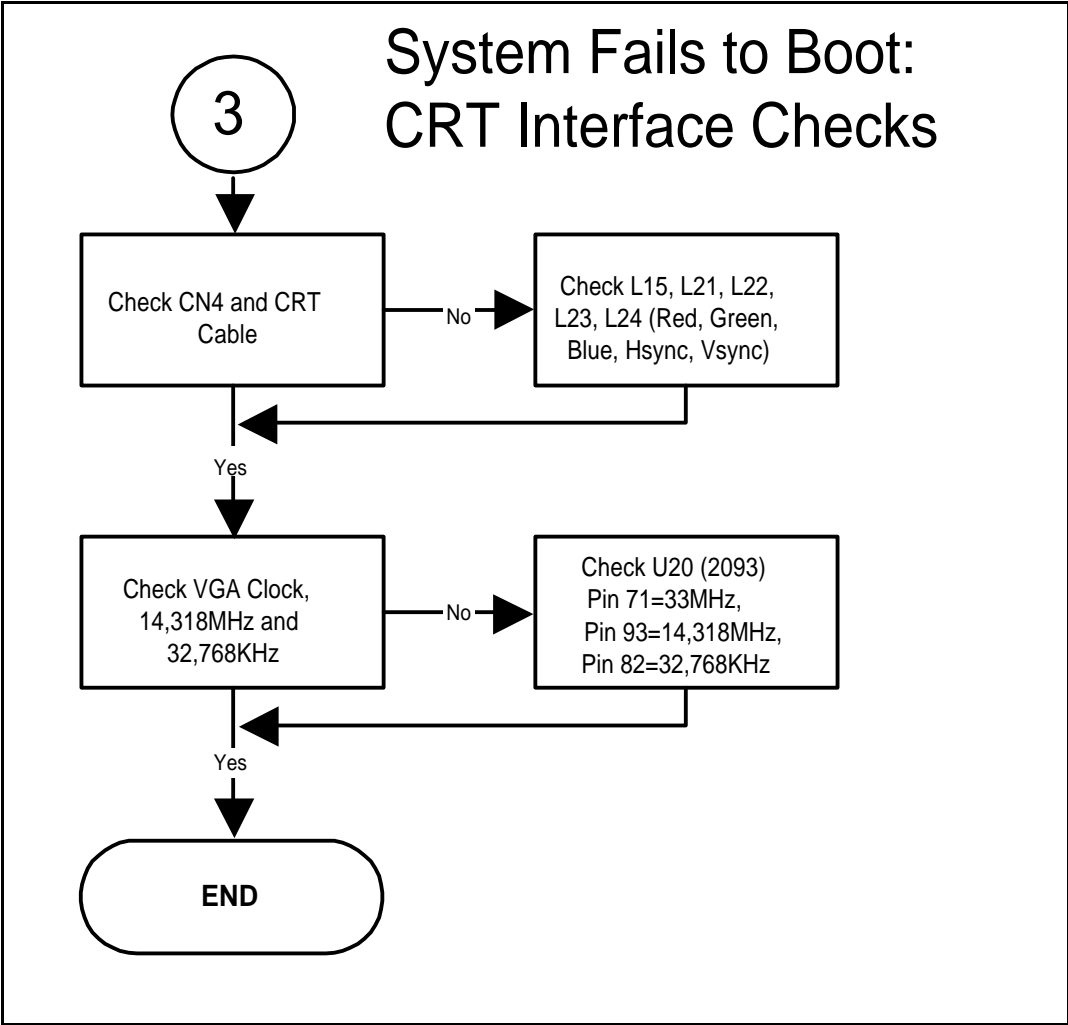
Figure No.	Description
5-2	System Fails to Boot, Initial Checks
5-3	Memory Interface Troubleshooting Diagram
5-4	CRT Interface Troubleshooting Diagram
5-5	FDD Interface Troubleshooting Diagram
5-6	HDD Interface Troubleshooting Diagram
5-7	Keyboard Interface Troubleshooting Diagram
5-8	CD-ROM Interface Troubleshooting Diagram
5-9	Glidepad Interface Troubleshooting Diagram
5-10	DC/DC Converter Interface Troubleshooting Diagram
5-11	Battery Charger Interface Troubleshooting Diagram
5-12	LED Indicator Function Troubleshooting Diagram
5-13	Serial Port Function Troubleshooting Diagram
5-14	Suspend Function Troubleshooting Diagram
5-15	Cover Switch Function Troubleshooting Diagram
5-16	Cover Close Function Troubleshooting Diagram
5-17	External Keyboard Function Troubleshooting Diagram
5-18	PS/2 External Mouse Function Troubleshooting Diagram
5-19	Printer Port Interface Troubleshooting Diagram



**Figure 5-2 System Fails to Boot, Initial Checks**

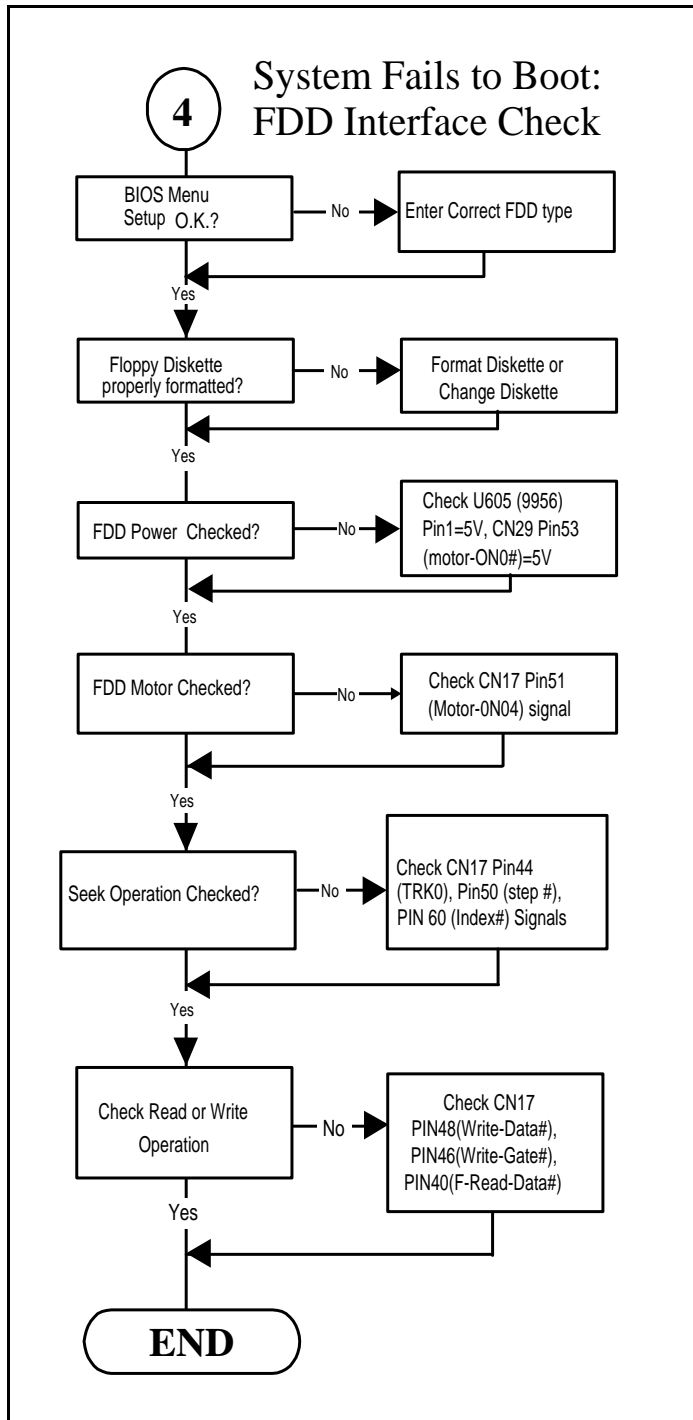


**Figure 5-3 Memory Interface Troubleshooting Diagram**

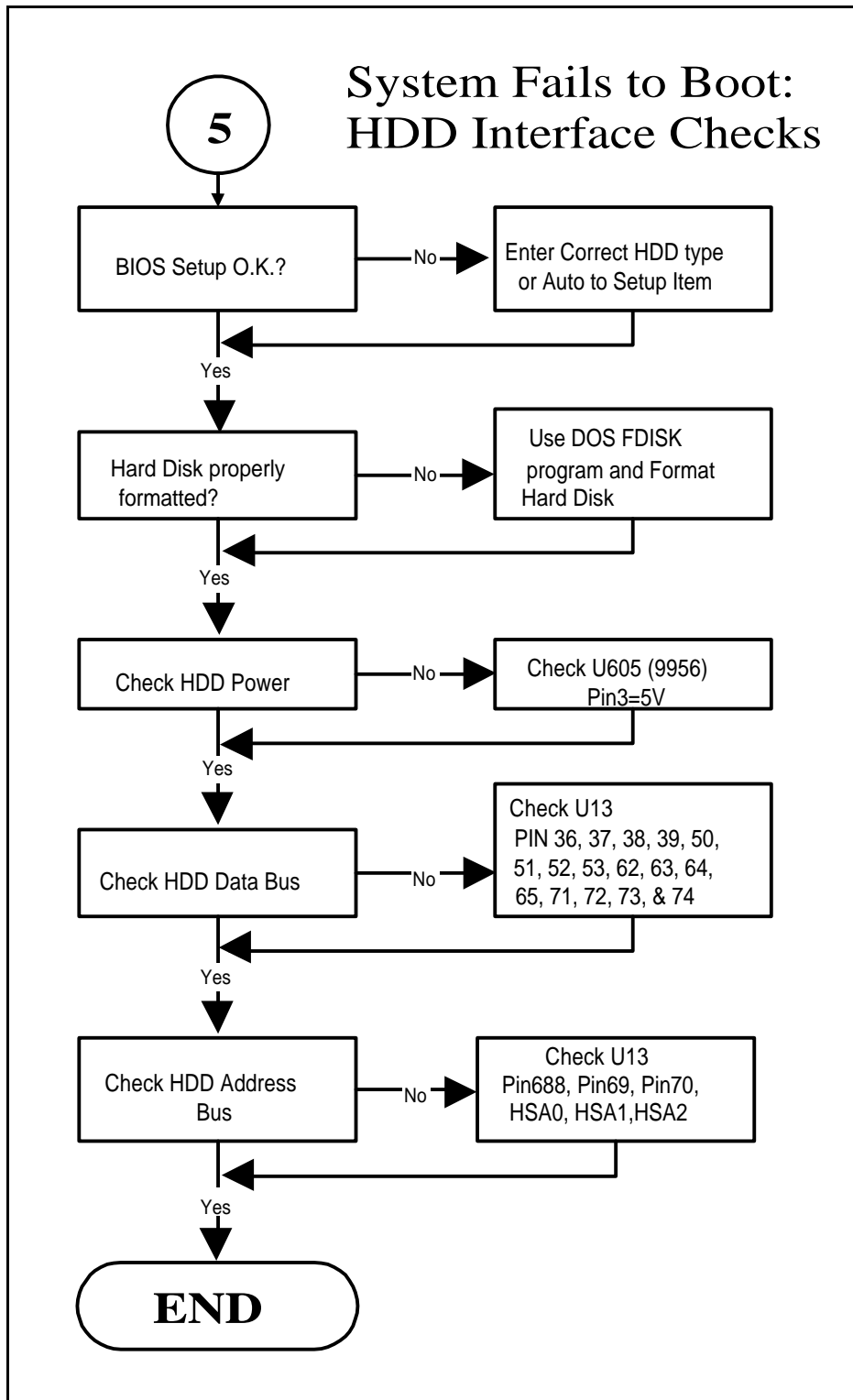


**Figure 5-4 CRT Interface Troubleshooting Diagram**

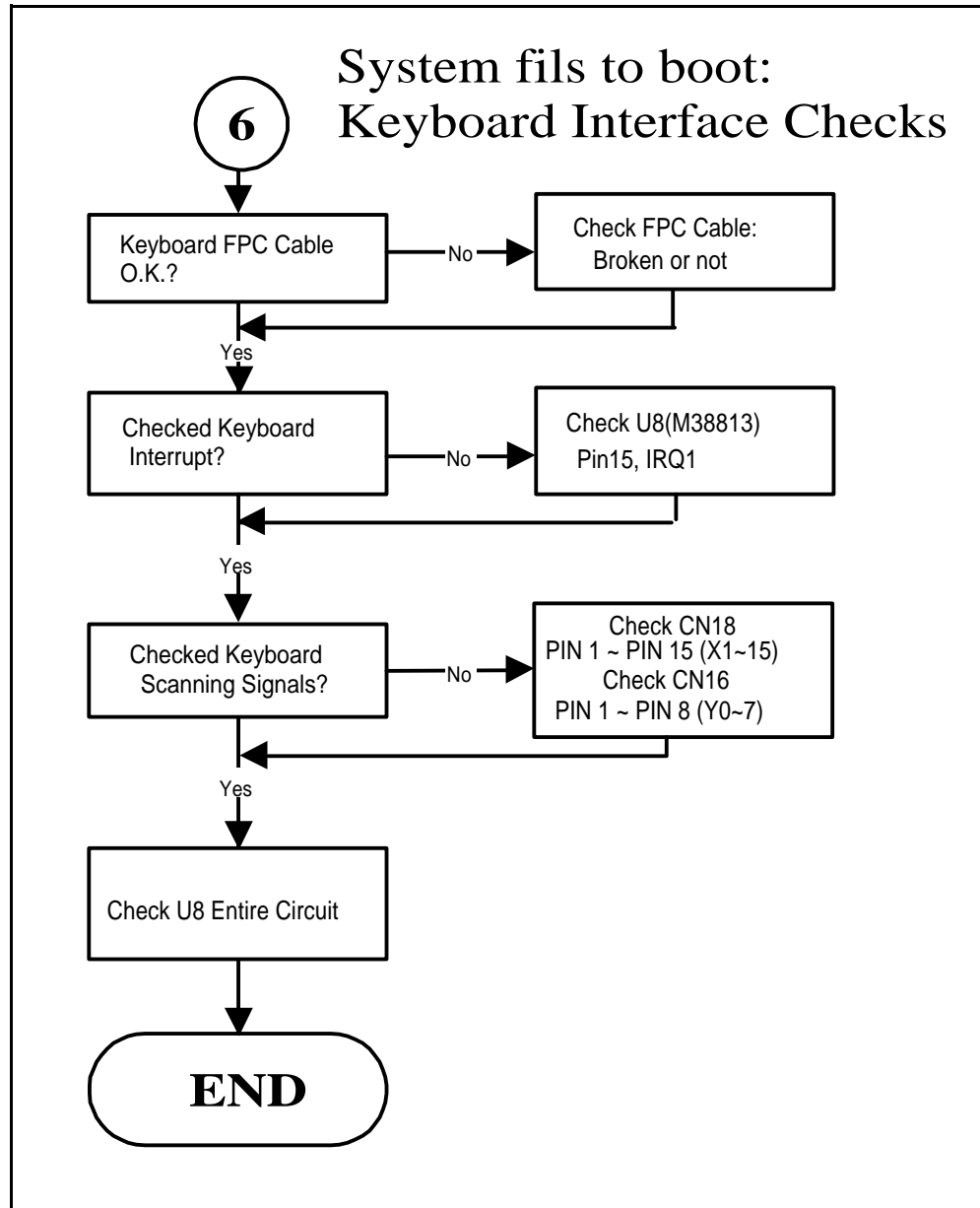




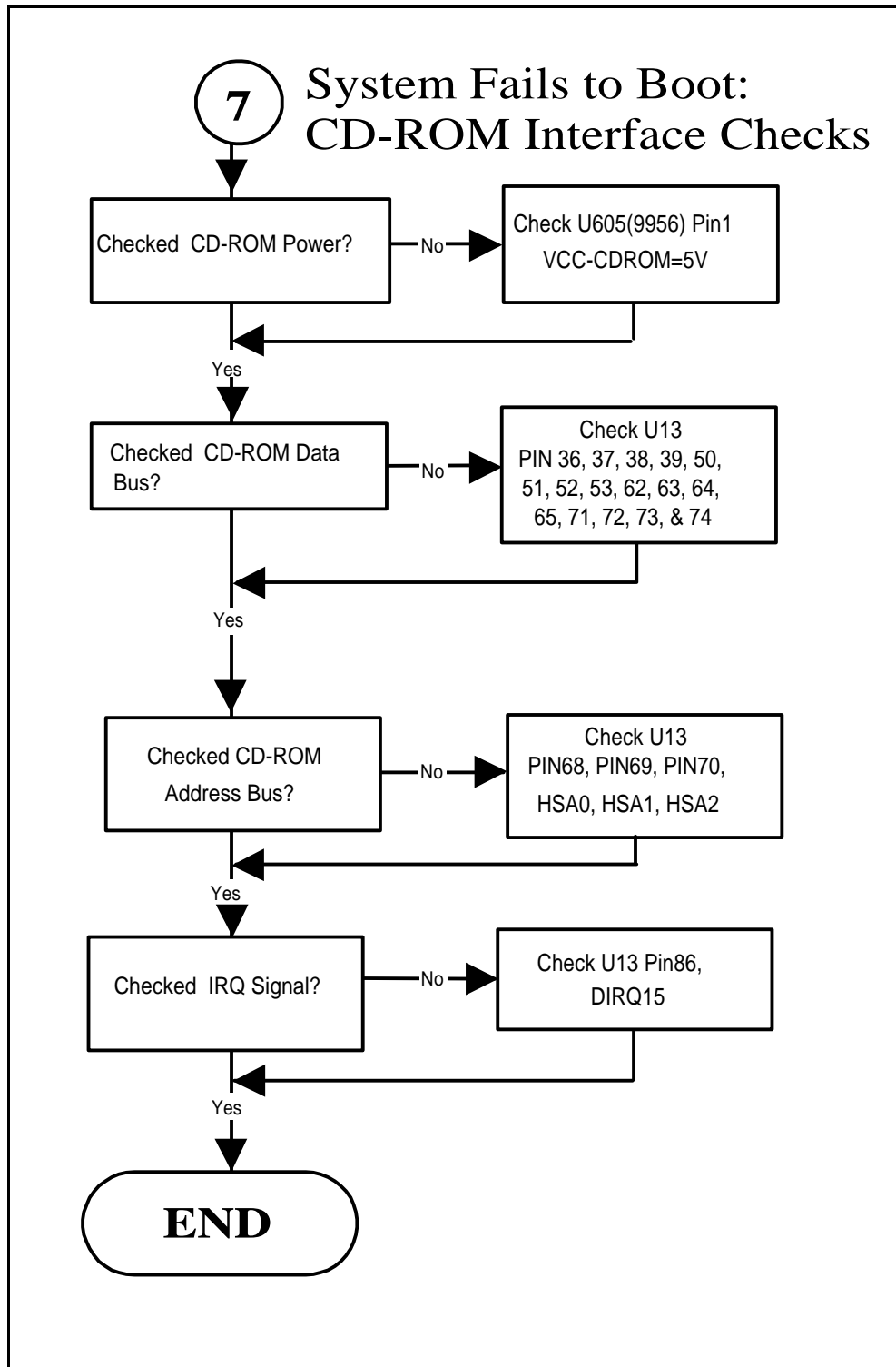
**Figure 5-5 FDD Interface Troubleshooting Diagram**



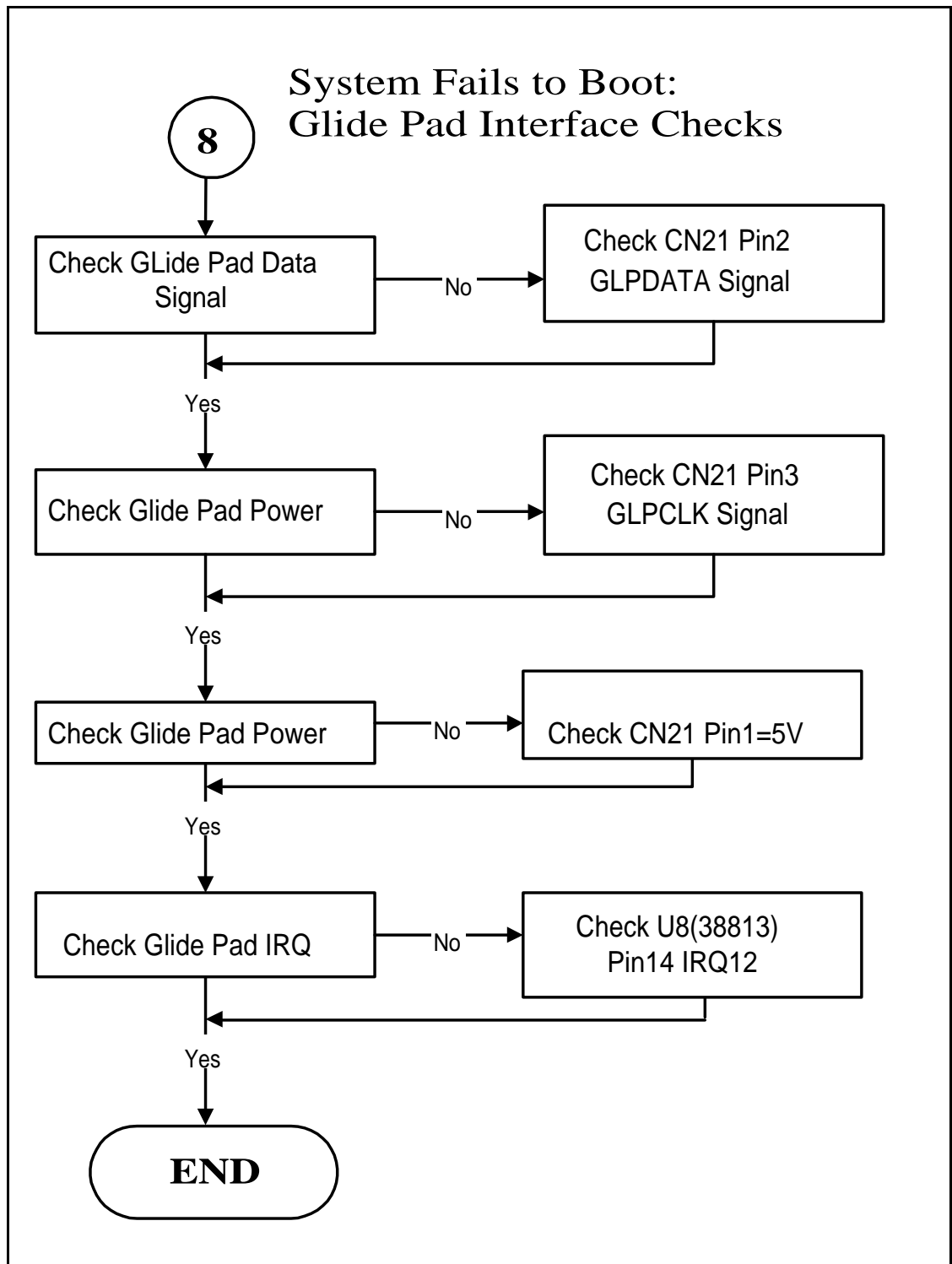
**Figure 5-6 HDD Interface Troubleshooting Diagram**



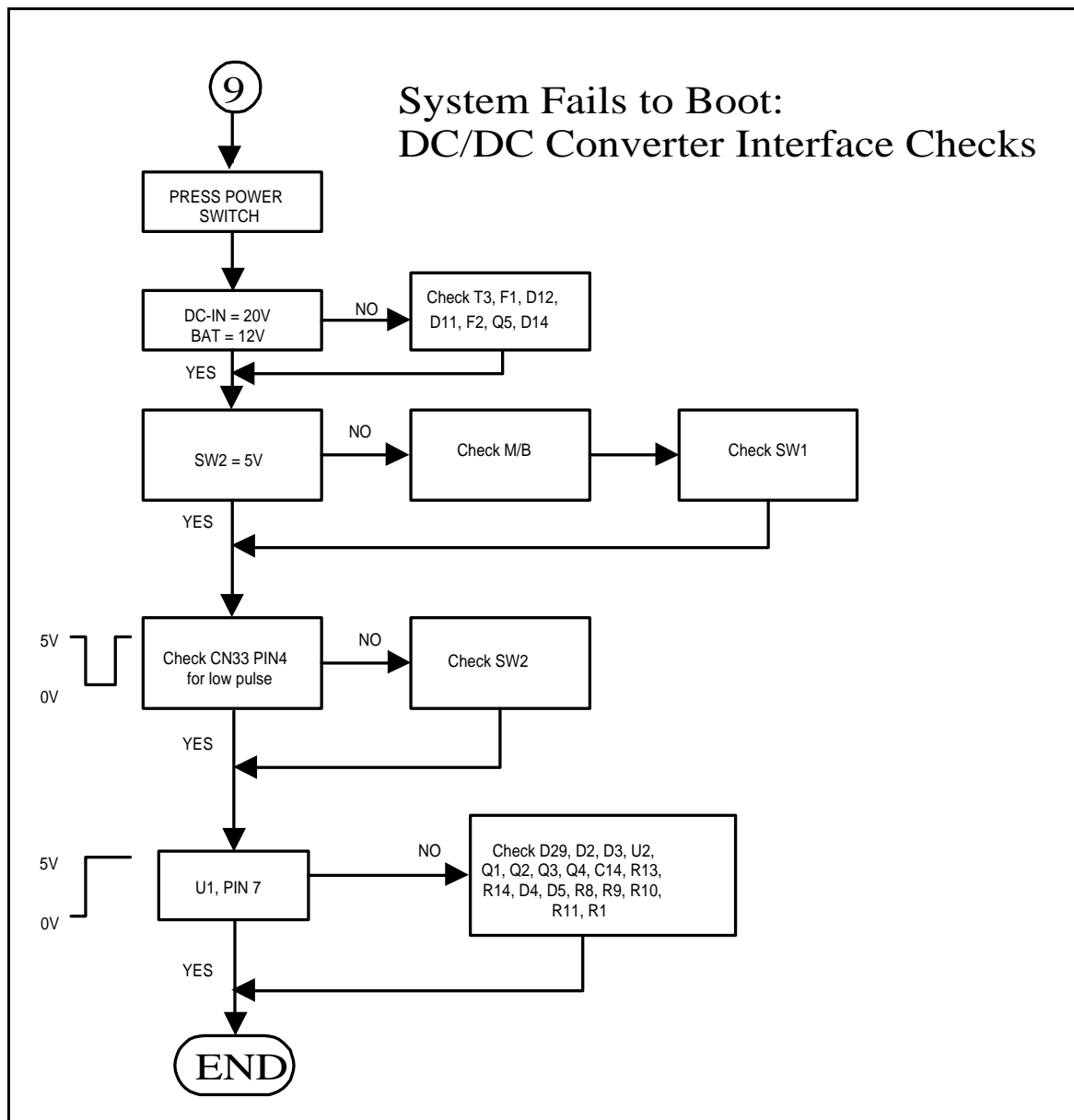
**Figure 5-7 Keyboard Interface Troubleshooting Diagram**



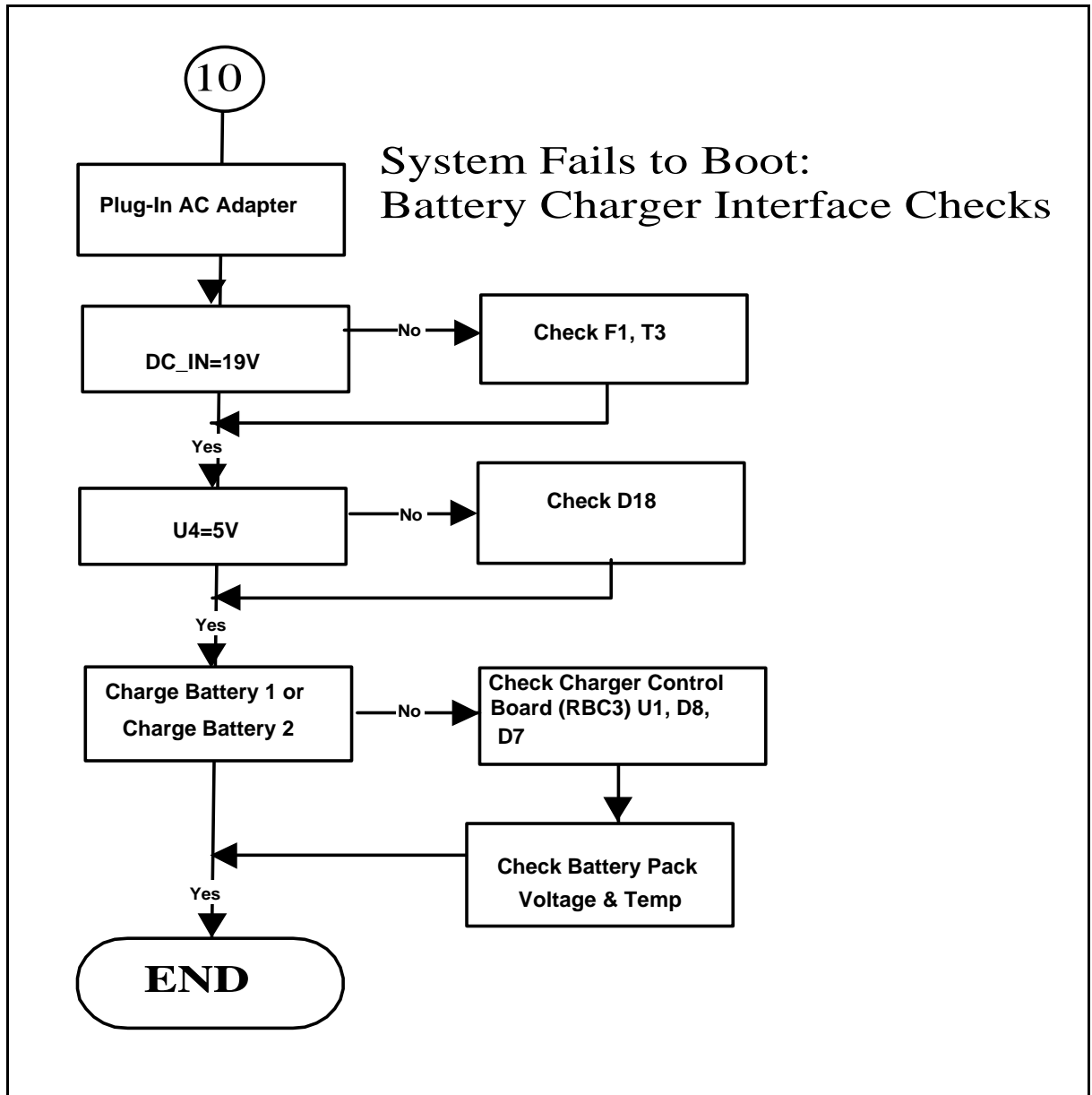
**Figure 5-8 CD-ROM Interface Troubleshooting Diagram**



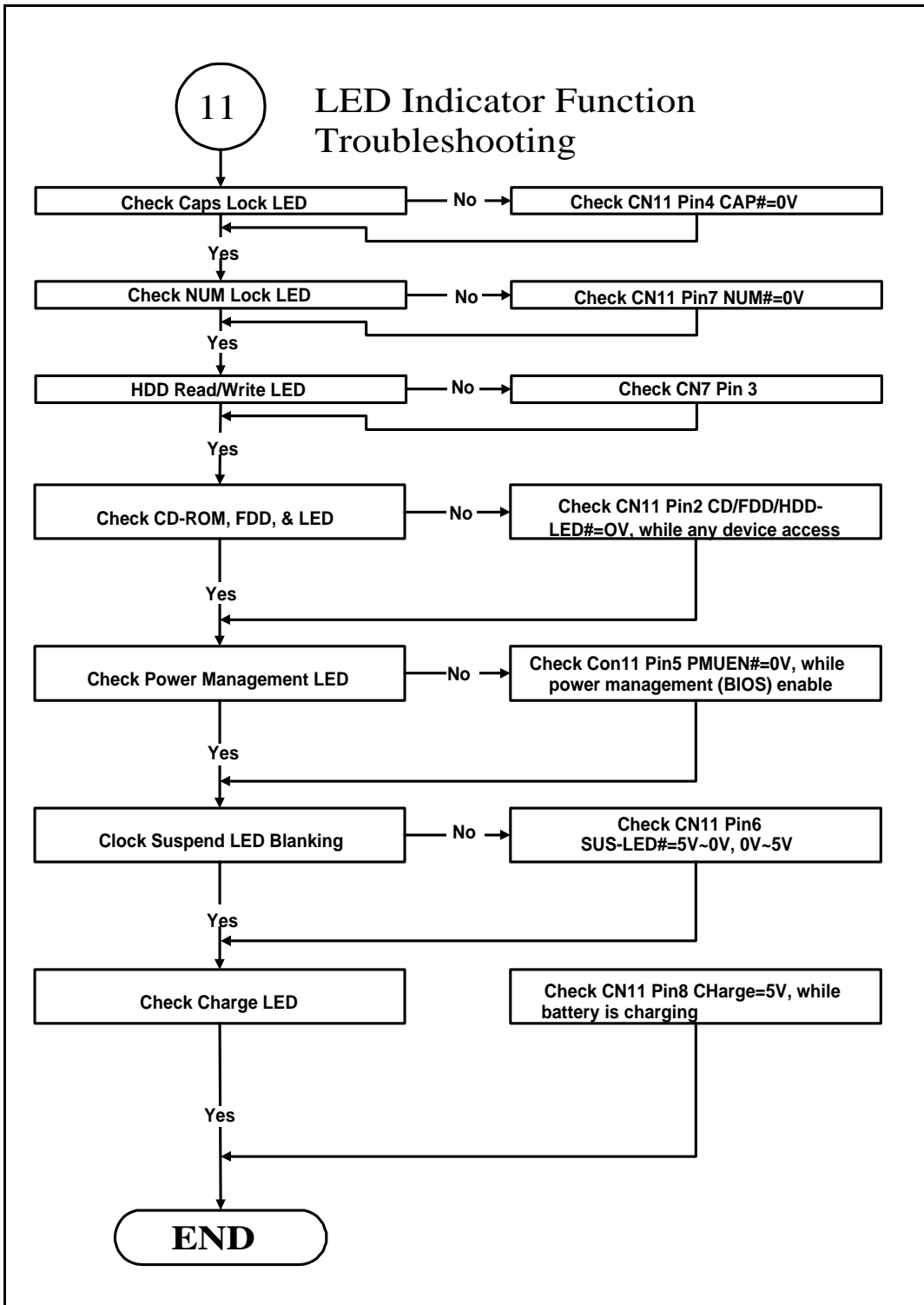
**Figure 5-9 Glidepad Interface Troubleshooting Diagram**



**Figure 5-10 DC/DC Converter Interface Troubleshooting Diagram**

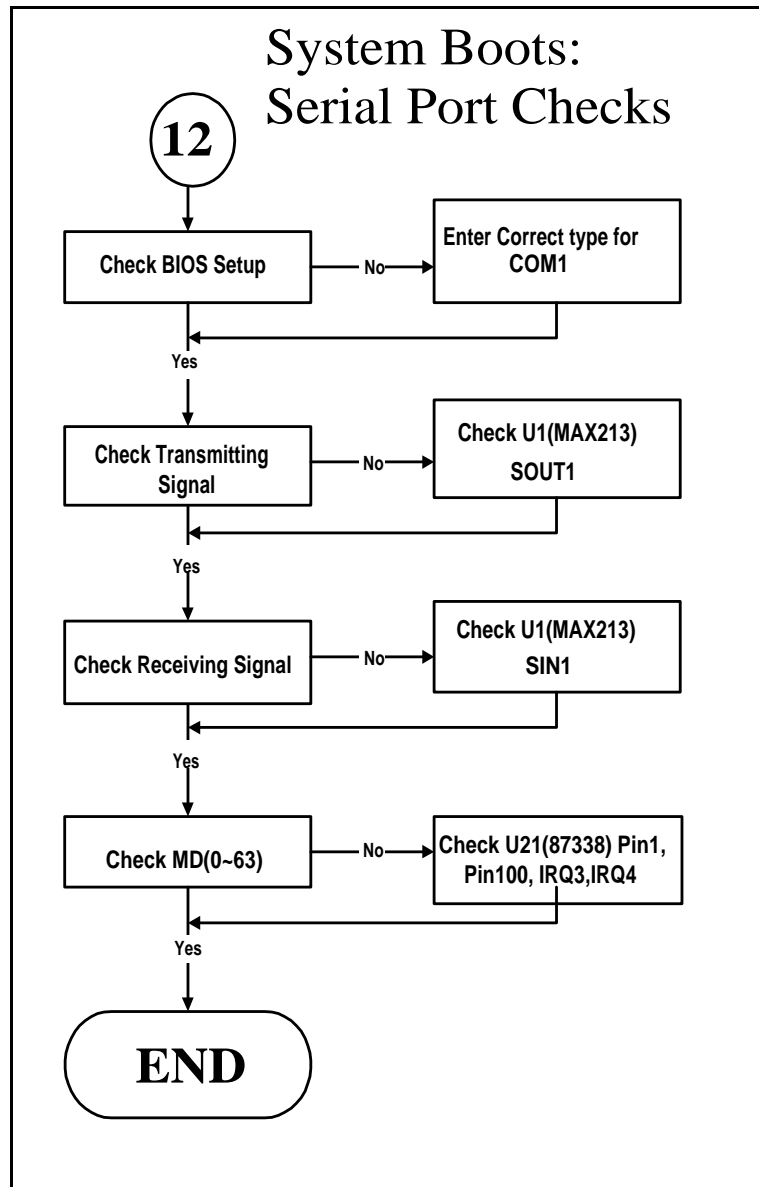


**Figure 5-11 Battery Charger Interface Troubleshooting Diagram**

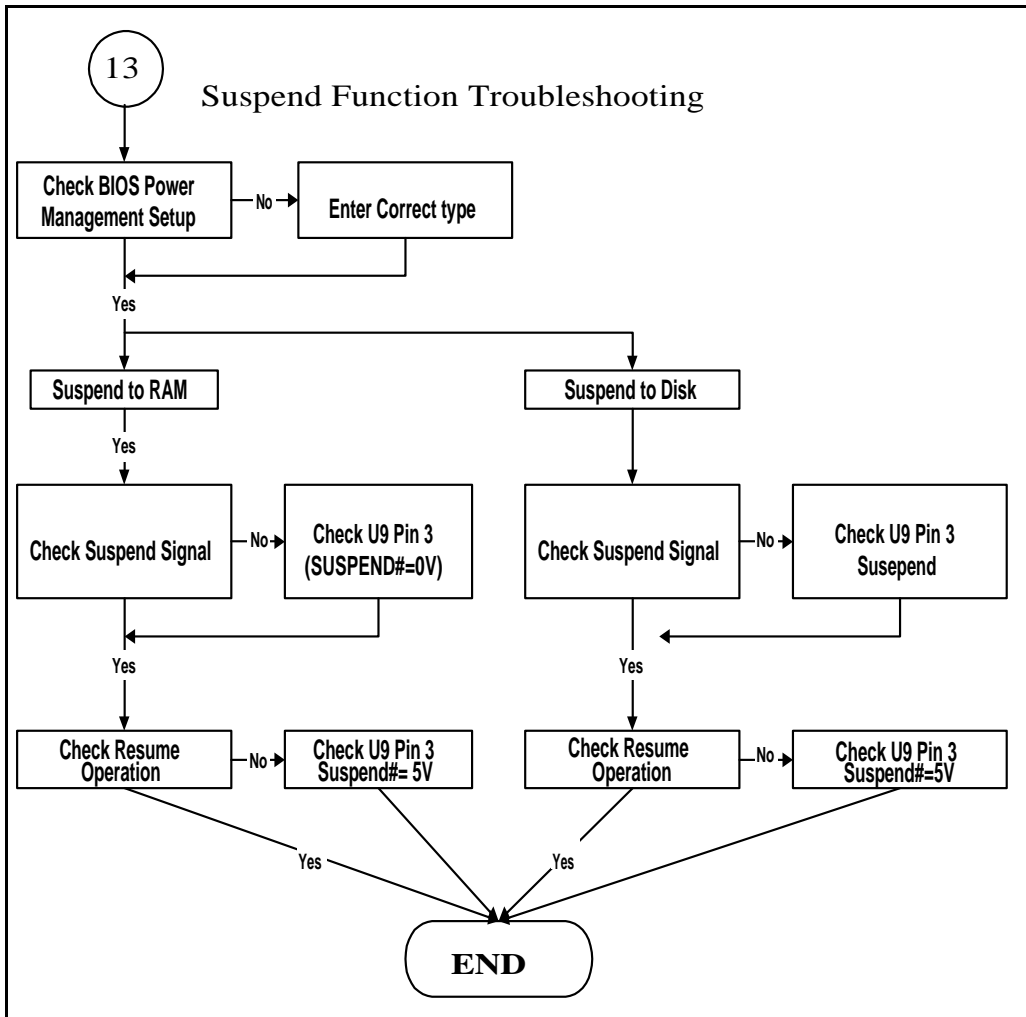


**Figure 5-12 LED Indicator Function Troubleshooting Diagram**

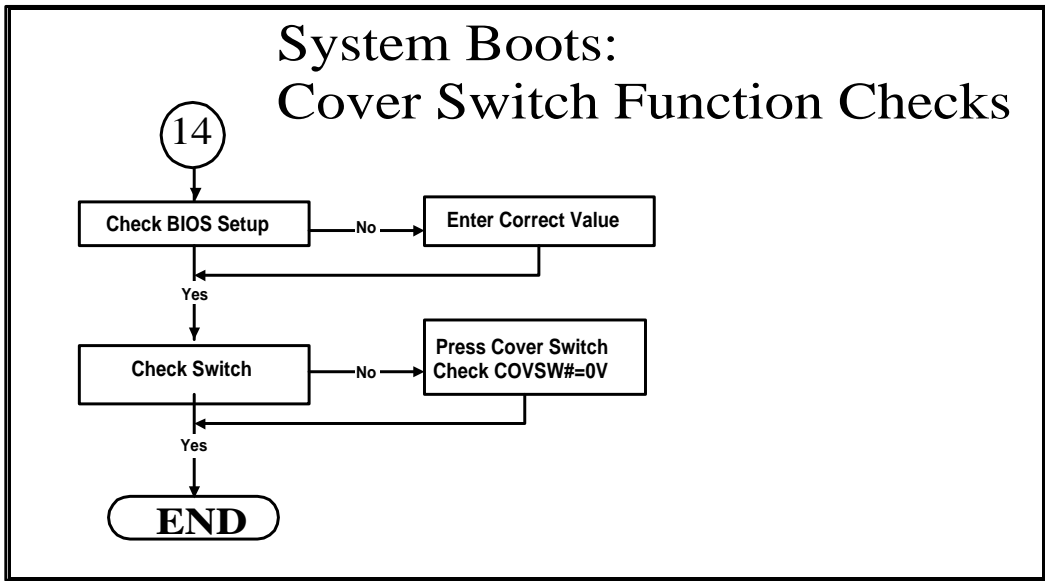




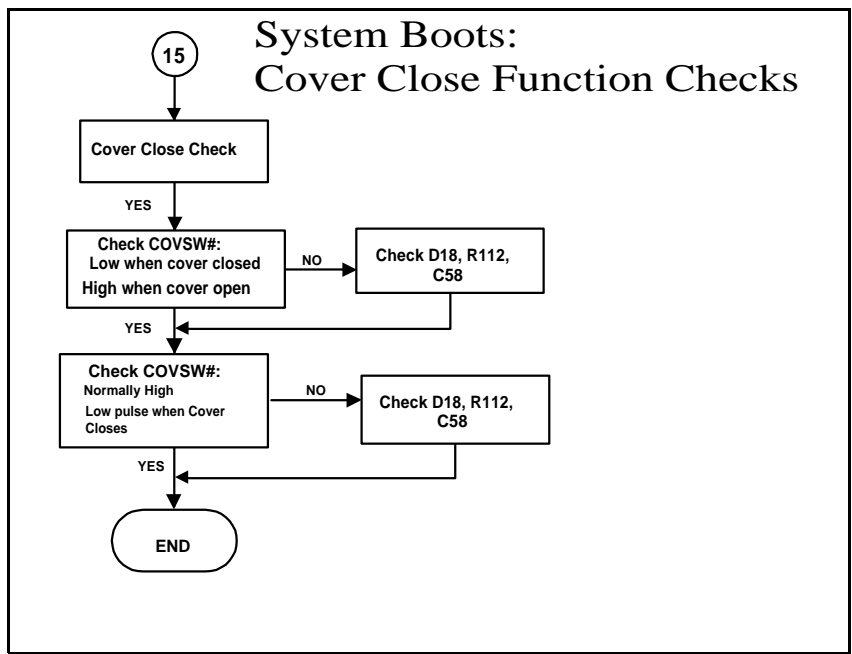
**Figure 5-13 Serial Port Function Troubleshooting Diagram**



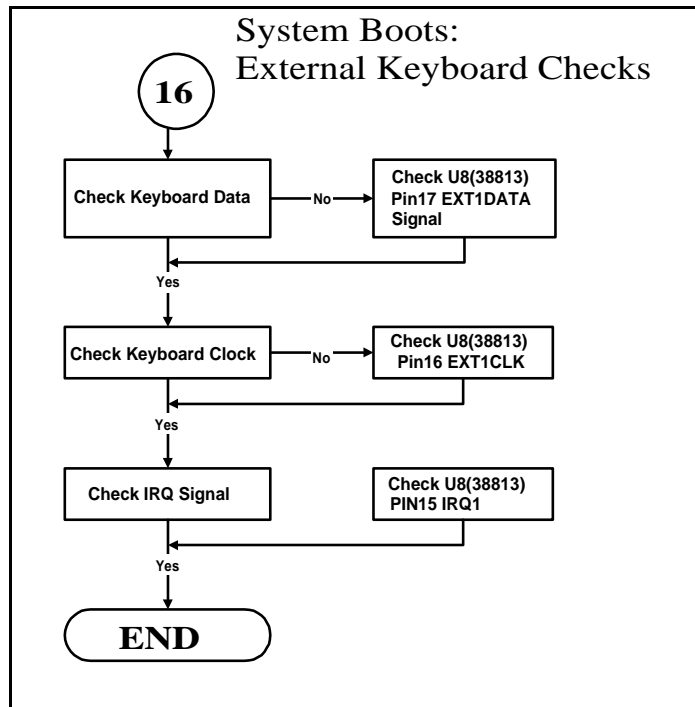
**Figure 5-14 Suspend Function Troubleshooting Diagram**



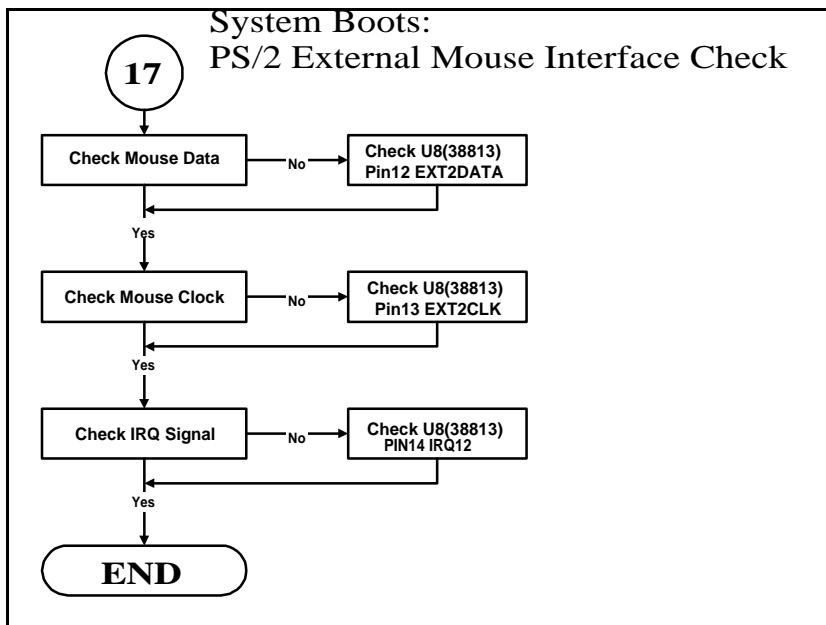
**Figure 5-15 Cover Switch Function Troubleshooting Diagram**



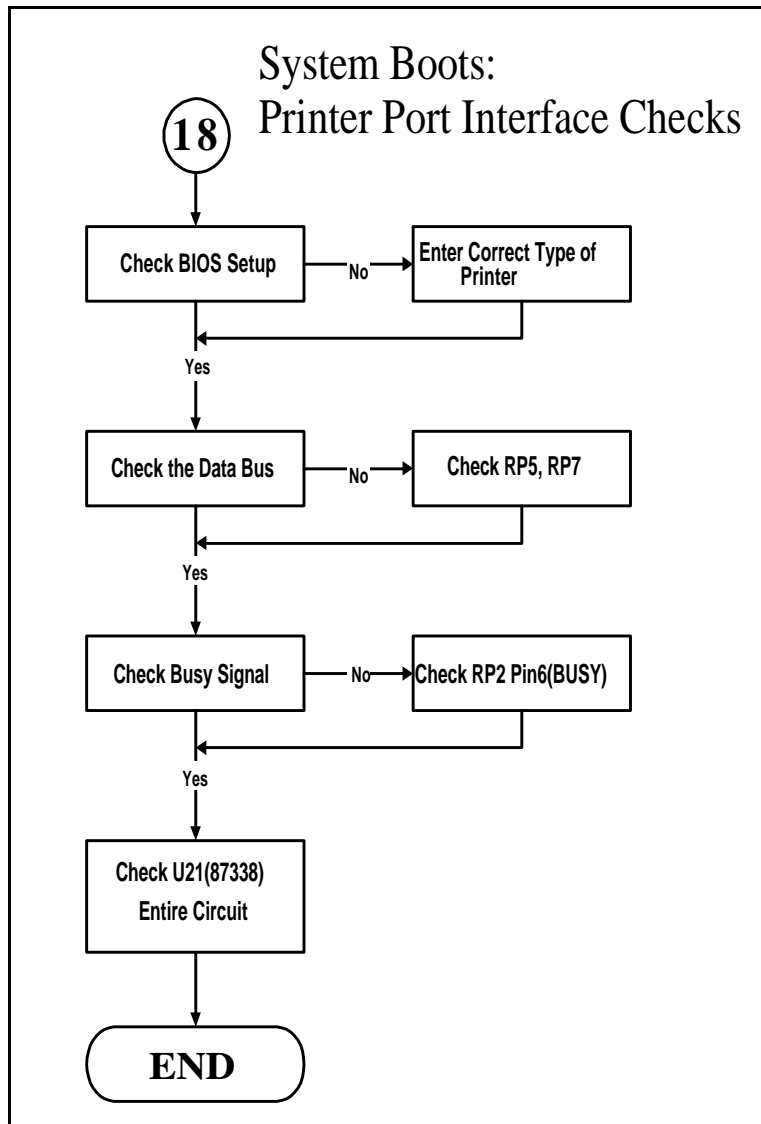
**Figure 5-16 Cover Close Function Troubleshooting Diagram**



**Figure 5-17 External Keyboard Function Troubleshooting Diagram**



**Figure 5-18 PS/2 External Mouse Function Troubleshooting Diagram**



**Figure 5-19 Printer Port Interface Troubleshooting Diagram**



## 6.1 Introduction

This section contains general preventive and corrective maintenance procedures that apply to all members of the Extensa 660 Notebook family. The first part of the section describes the computer cleaning procedures and preferred handling procedures for sensitive components (e.g., disk drives, batteries).

The second part of the section identifies all field-replaceable parts; the remainder of the section contains removal and replacement procedures for the field-replaceable parts.

## 6.2 Preventive Maintenance

Preventive maintenance is limited to cleaning the plastic case, keyboard and the display screen.

### 6.2.1 Cleaning the Computer

When it is necessary to clean the plastic case and keyboard use a soft, lint-free cloth, slightly dampened with a mild detergent solution or use the contents of any commercially available computer cleaning kit.

---

**Caution: Never spray any liquids directly on the computer case, keyboard, or screen. If the liquid-crystal display (LCD) screen has become smeared or dusty, clean the screen first with a soft, clean, lint-free cloth and gently wipe the glass. If the glass is still smeared, use distilled water or a 25% solution of alcohol and distilled water.**

---

---

**Caution: Do not use paper towels to clean the display screen. Paper can scratch the display screen matte.**

---

### 6.2.2 Handling the Computer

The notebook computer requires reasonable care and handling for extended life. Some of the precautions to follow to protect your computer against accidental damage include:

- ◆ Never pick up or carry the unit by the cover.
- ◆ Do not force the cover beyond its fully opened position (about 180 degrees).
- ◆ Never subject the computer to harsh environments (dusty areas or areas of rapidly changing temperatures).

- 
- ◆ Never place anything on top of the computer, particularly when it is operating or charging (could result in overheating and damage to the computer).
  - ◆ Never move the computer while the hard drive is rotating (press the **Suspend** button to put the computer in a **Sleep** mode before closing cover).
  - ◆ Never expose the computer hard disk drive(s) or disks to strong magnetic fields such as those generated by transformers, speakers, or telephone handsets.

### 6.2.3 Handling the Computer Battery Pack

The battery pack furnished with the computer requires reasonable care and handling to ensure efficient operation and maximum life. Periodically inspect the battery terminals and the batteries for evidence of corrosion and oxide build-up; clean if necessary.

To ensure that the battery packs endure normal life cycle, always observe the following precautions when handling the battery packs:

- ◆ Do not drop the battery pack or subject it to excessive shock and vibration.
- ◆ Do not expose the battery pack to direct sunlight, moisture, or chemical compounds.
- ◆ Do not disassemble the battery pack.
- ◆ Do not use the battery pack to power other devices.
- ◆ Do not short the battery leads or connect the battery with reversed polarity.
- ◆ Never attempt to charge the battery pack in any way other than as described in this manual.
- ◆ Always charge the battery pack as soon as possible after a low battery indication.

### 6.2.4 Password Caution

The notebook computer can be password protected to prevent unauthorized use. However, if the password is lost, the notebook must be returned to the Texas Instruments manufacturing facility in Temple, Texas U.S.A. to restore access. This service is not covered by warranty.



---

## 6.3 Required Tools and Equipment

All Extensa Notebook corrective maintenance procedures can be performed using the following tools:

- ◆ Tweezers
- ◆ Plastic Stick
- ◆ Small flat-blade screwdriver
- ◆ Small Phillips® screwdriver
- ◆ 5 mm Nut Driver

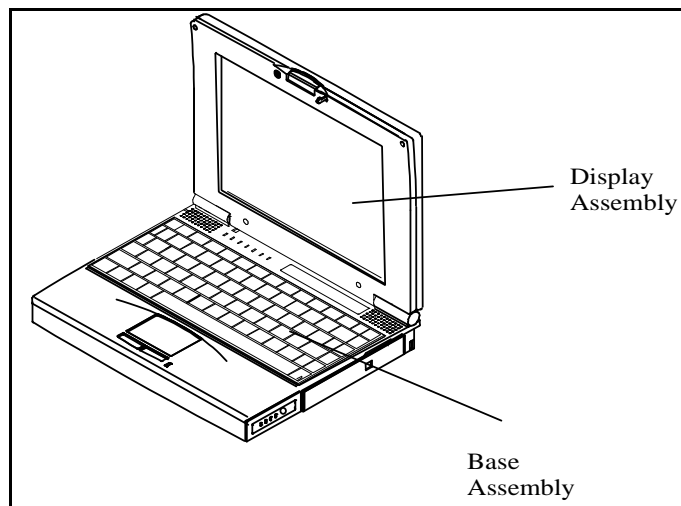
---

**Caution: All boards, options and peripherals contain components that are sensitive to static electricity. When handling any of these items, protect against static electricity by using wrist grounding straps and grounded working mats. When moving or storing items, use the anti-static bags supplied with the items.**

---

## 6.4 Notebook FRUs

Table 6-1 lists and describes the various FRUs for the Extensa 660 Series. As shown in Figure 6-1, all members of the Extensa 660 Series Notebook Computers contain two major assemblies including the System Base Assembly and the Cover Display Assembly.



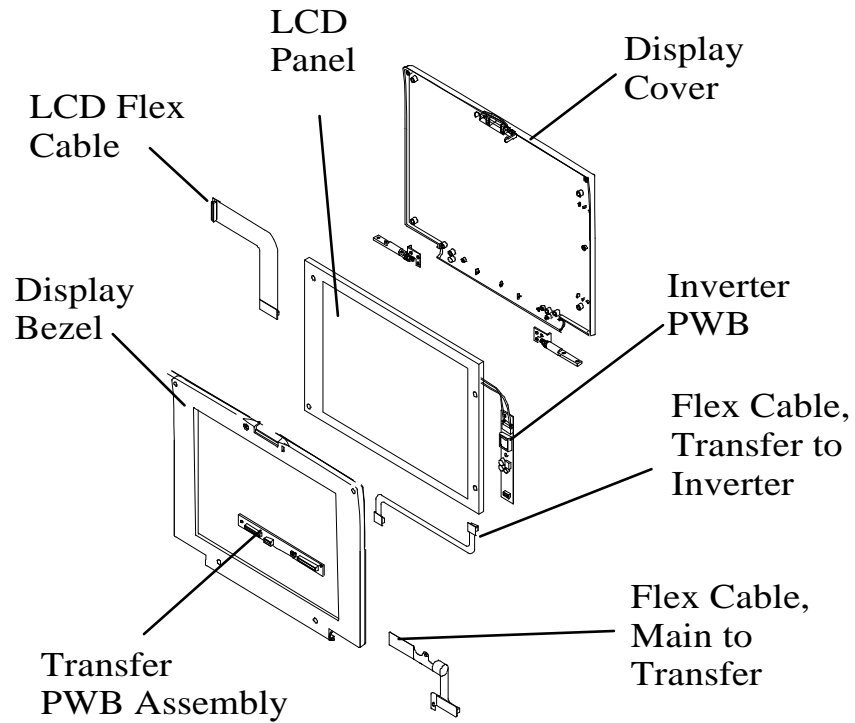
**Figure 6-1 Extensa 660 Series Assemblies**

---

---

## 6.4.1 Cover-Display Assembly

The Cover-Display Assembly shown in Figure 6-2, contains the LCD screen, DC-AC Inverter Board, DC-DC Inverter Board, bezel LCD cover and various other components as listed in Table 6-1.



**Figure 6-2 Cover Display Assembly FRUs**

---

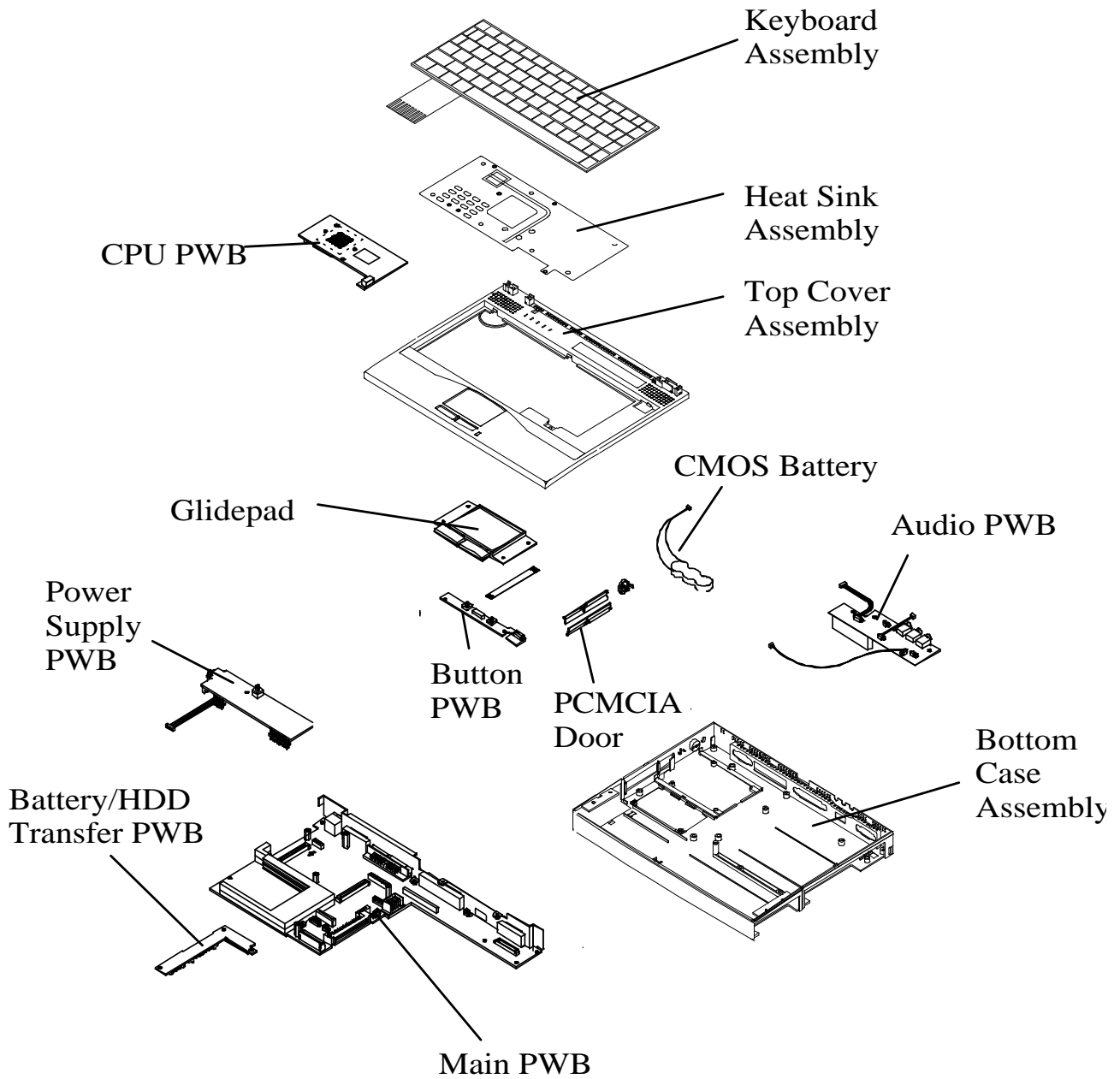
---

**Table 6-1 Cover Display Assembly FRU Listing**

FRU Description	Assembly/ Disassembly Paragraph	TI Part No.
LCD Panel, 11.3", TFT (HO)	6.5.17	9813168-0001
LCD Panel, 11.3", TFT (LG)	6.5.17	9813169-0001
LCD Panel, 12.1", DSTN (SANYO)	6.5.17	9813170-0001
Display Back Cover, 11.3" (HO)	6.5.17	9813165-0001
Display Back Cover, 11.3" (LG)	6.5.17	9813207-0001
Display Back Cover, 12.1" (SANYO)	6.5.17	9813167-0001
11.3" Display Bezel	6.5.17	9813164-0001
12.1" Display Bezel	6.5.17	9813166-0001
11.3" LCD Flex Cable (HO)	6.5.17	9813150-0001
11.3" LCD Flex Cable, TFT (LG)	6.5.17	9813199-0001
12.1" LCD Flex Cable, DSSTN (SANYO)	6.5.17	9813149-0001
Inverter PWB Assembly (DELTA)	6.5.17	9813162-0001
Transfer-Inverter Flex Cable Assembly	6.5.17	9813153-0001
Transfer-Main Board Flex Cable	6.5.17	9813154-0001
Transfer PWB, Main Board to LCD (SANYO)	6.5.17	9813191-0001
Transfer PWB, Main Board to LED (HO, LG)	6.5.17	9813190-0001

## 6.4.2 System Base Assembly

As shown in Figure 6-3, the System Base Assembly houses a variety of field-replaceable subassemblies and components. The various assemblies and reference paragraph numbers containing removal/replacement procedures are listed in Table 6-2. Table 6-3 contains a listing of Customer-Replaceable Units (CRUs).



**Figure 6-3 System Base Assembly FRUs**

**Table 6-2 System Base Assembly FRU Listing**

<b>Base Assembly FRU Description</b>	<b>Assembly/ Disassembly Paragraph</b>	<b>TI Part No.</b>
<b>PWB Assemblies</b>		
Mainboard PWB Assembly, Extensa 66x	6.5.15	9813135-0001
CPU PWB Assembly	6.5.8	9813136-0001
Power Supply PWB Assembly	6.5.13	9813138-0001
HDD/Battery Transfer Board PWB Assembly	6.5.16	9813143-0001
Audio Board PWB Assembly	6.5.14	9813140-0001
LED Board PWB Assembly	6.5.11	9813142-0001
Glidepad Assembly w/Plastic	6.5.12	9813157-0001
Button Board PWB Assembly	6.5.12	9813139-0001
Keyboard Assembly (U.S.)	6.5.6	9805758-0001
PCMCIA Connector Kit	Ref	9813176-0001
<b>Peripherals/Sound Accessories/Misc</b>		
FDD Module, 1.44 MB, w/Housing	6.5.2	9813200-0001
HDD Module w/Housing, 1.4 GB (IBM)	6.5.5	9813201-0001
HDD Module w/Housing, 2.1 GB (IBM)	6.5.5	9813204-0001
HDD Module w/Housing, 1.35 GB (Seagate)	6.5.5	9813211-0001
10X CD-ROM Module w/Housing (Sanyo)	6.5.2	9813133-0001
Microphone Assembly w/Cable	Ref	9813174-0001
Speaker Kit, Left	6.5.10	9813180-0001
Speaker Kit, Right	6.5.10	9813181-0001
Battery, CMOS w/Cover	Ref	9813146-0001
Heat Sink	6.5.7	9813160-0001
Top Case	6.5.10	9813183-0001
Bottom Case (Not for Sale Domestically)	Ref	9813144-0001
Latch Kit (Battery)	Ref	9813215-0001
Latch Kit (Media Bay)	Ref	9813216-0001
Lens, FIR	Ref	9813217-0001
Power Button	Ref	9813177-0001
Cover Suspend Switch	Ref	9813182-0001

**Table 6-2 System Base Assembly FRU Listing**

Base Assembly FRU Description	Assembly/ Disassembly Paragraph	TI Part No.
Nameplate, Logo	Ref	9813173-0001
Nameplate, Model 660CD	Ref	9813173-0002
Nameplate, Model 660CDT	Ref	9813173-0003
PCMCIA Doors (w/Spring)	Ref	9813175-0001
<b>Covers, Doors, Buttons</b>		
Cover Assembly, Advanced PCI Board	6.5.4	9813156-0001
Cover, Memory Expansion	Section 2	9813178-0001
Right and Left Hinge Covers	Ref	9813161-0001
HDD Cover Door	6.5.5	9813158-0001
Rubber Foot	Ref	9813179-0001

**Table 6-3 Customer-Replaceable Units (CRUs)**

Base Assembly FRU Description	Assembly/ Disassembly Paragraph	TI Part No.
<b>PWB Assemblies</b>		
AC Adapter Kit ADP-45CBF (U.S. Power Cord)	Section 2	9813497-0003
AC Adapter Kit ADP-45CBF (WW Power Cord)	Section 2	9813562-0002
Battery, Primary, Ni-MH	6.5.1	9813147-0001
FDD Module, External w/Housing	6.5.2	9813200-0001
HDD Module, 1.35 GB, Seagate w/Housing	6.5.2	9813211-0001
HDD Module, 1.4 GB, IBM w/Housing	6.5.2	9813201-0001
HDD Module, 2.1 GB, IBM w/Housing	6.5.2	9813204-0001
CD-ROM Module, 10X, SANYO	6.5.2	9813133-0001
<b>Doors and Covers</b>		
Cover Assembly, Advanced PC	6.5.4	9813156-0001
Cover, Memory	2.3.1	9813178-0001
HDD Door Cover	6.5.5	9813158-0001
Hinge Cover, Right and Left	Ref	9813161-0001

---

**Table 6-3 Customer-Replaceable Units (CRUs)**

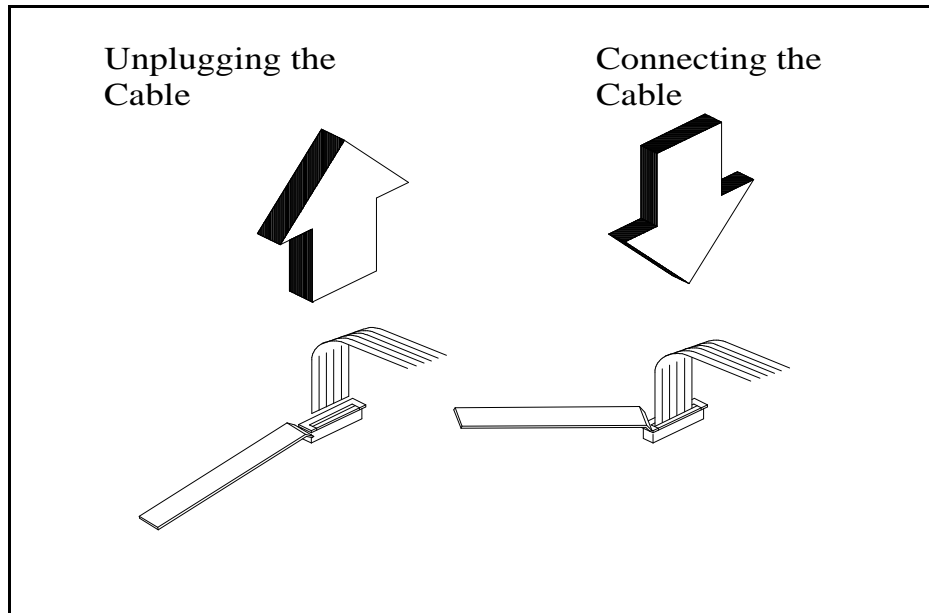
<b>Base Assembly FRU Description</b>	<b>Assembly/ Disassembly Paragraph</b>	<b>TI Part No.</b>
<b>Options</b>		
Battery, Primary, Li-Ion	6.5.1	9813130-0001
Battery, Secondary, Li-Ion	6.5.2	9813131-0001
External Battery Charger, U.S.	Ref	9813134-0001
External Battery Charger, WW	Ref	9813134-0004
Auto Adapter	Ref	9813126-0001
Port Replicator, Extensa 65X/66X	Ref	9813564-0001
FDD w/Cable, (External)	6.5.2	9813561-0001
HDD Kit, 2.1 GB	6.5.5	9813125-0001
RAM Module, 16 MB	Section 2	9811344-0002
RAM Module, 32 MB	Section 2	9811344-0003

## **6.5 FRU Removal/Replacement Procedures**

The following paragraphs contain field service-level removal/replacement procedures for the 660 Series Notebook Computers.

Most FRU removal/replacement procedures involve connecting and disconnecting cable connectors. The Extensa series uses two types of connectors including:

- ◆ Locking-type connectors - use a plastic stick to unlock and lock these type of connectors as shown in Figure 6-4.
- ◆ Non-locking connectors



**Figure 6-4 Removing/Installing Cables with ZIF Connectors**

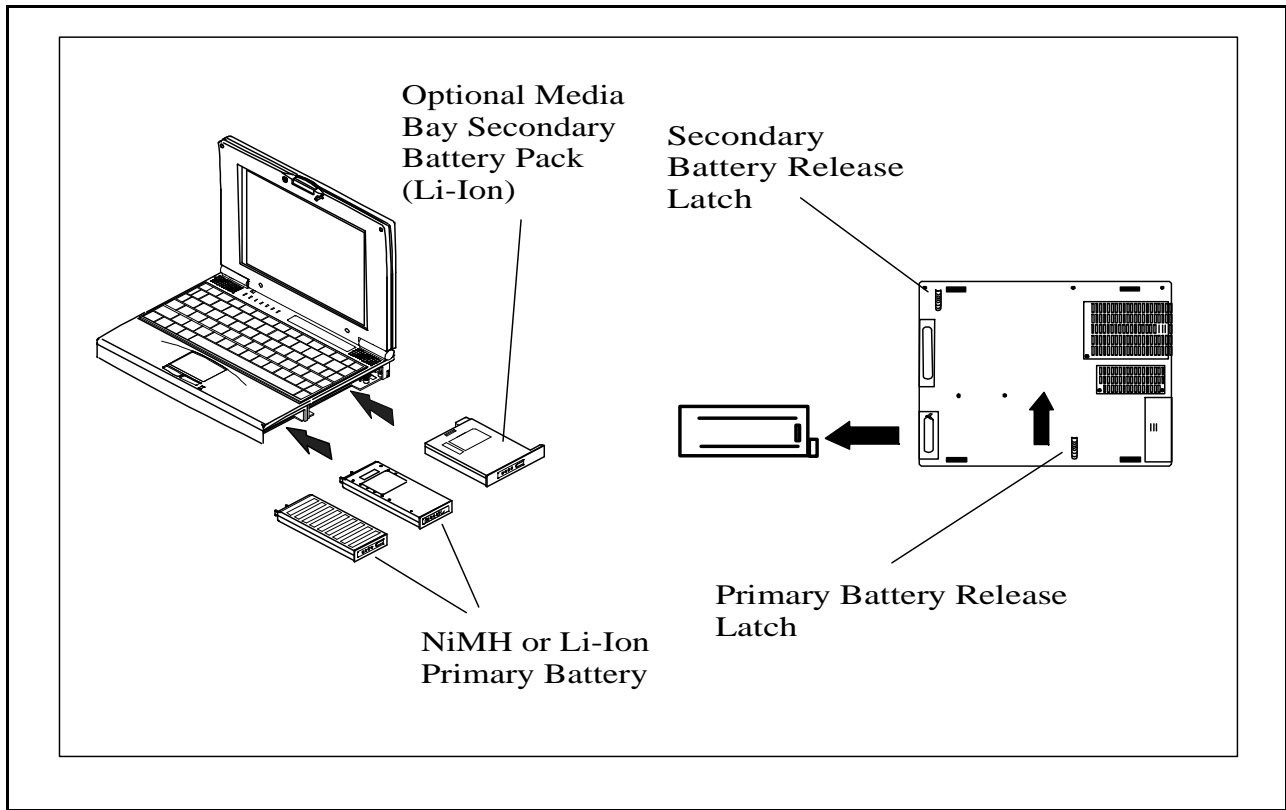
---

### 6.5.1 Removing/Replacing the Primary Battery Pack

Before performing any of the assembly/disassembly procedures, **always** disconnect the AC adapter from the notebook and remove all battery packs. The procedure for removing and replacing the primary battery pack is as follows:

1. Turn off the computer and disconnect the AC adapter from the computer.
2. Press the battery release latch outwards (underneath the notebook) as shown in Figure 6-5.
3. While holding the battery release latch outward, slide the battery outward as shown in Figure 6-5.
4. Insert the replacement battery (with label side facing upward) until it snaps in place.





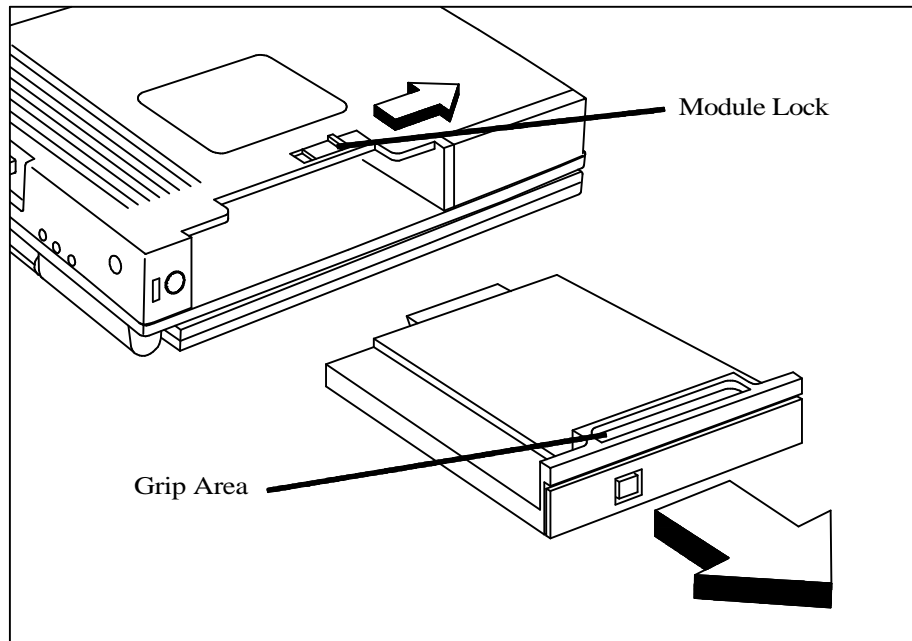
**Figure 6-5 Battery Removal/Replacement**

## 6.5.2 Removing/Replacing a Media Bay Device

The computer has a latch-controlled locking mechanism that prevents accidental removal of devices from the modular bay.

Follow these steps to change modules.

1. Turn off the computer.
2. Press the release latch on the bottom of the computer as shown in Figure 6-6.
3. Pull out the accessory currently in the modular bay.



**Figure 6-6 Removing/Replacing a Media Bay Device**

---

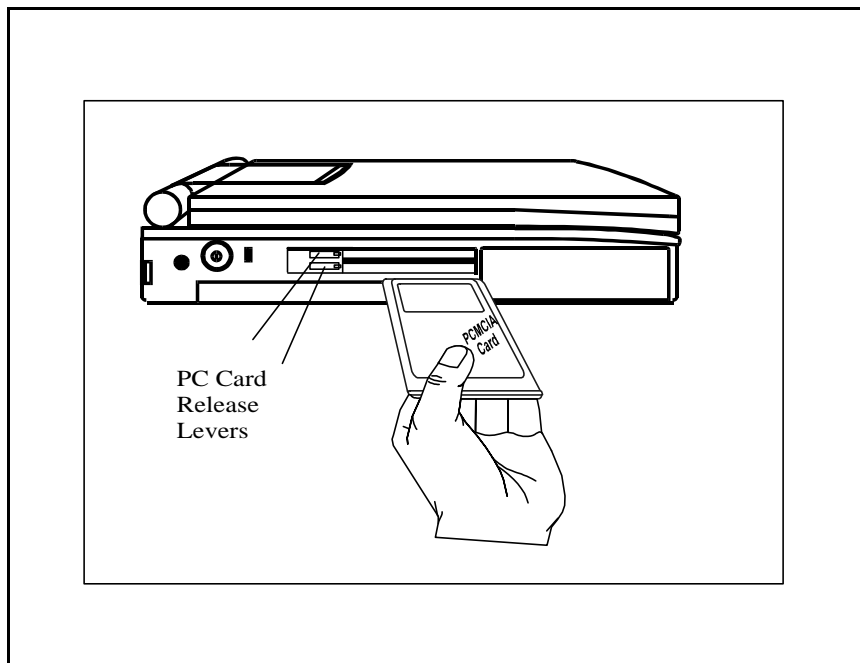
4.     Unpack the new accessory.
5.     Slide the new accessory into the modular bay and push the accessory until it latches into place.
6.     Place the original accessory in a safe place.
7.     Turn on the computer.

---

### 6.5.3 Removing/Replacing PCMCIA Options

The procedure for removing and replacing the PCMCIA options is as follows:

1. Stop operation according to operating system (Windows 95 or Windows for Workgroups) instructions.
2. Press the upper card eject button to eject the upper card, lower button controls the lower card and use both buttons for Type III devices (refer to Figure 6-7).
3. To replace the PCMCIA device, remove any filler cards present and insert the device. Reinstall any external cabling required for the device.



**Figure 6-7 Installing/Removing PCMCIA Options**

---

### 6.5.4 Removing/Replacing the APCI Card Option

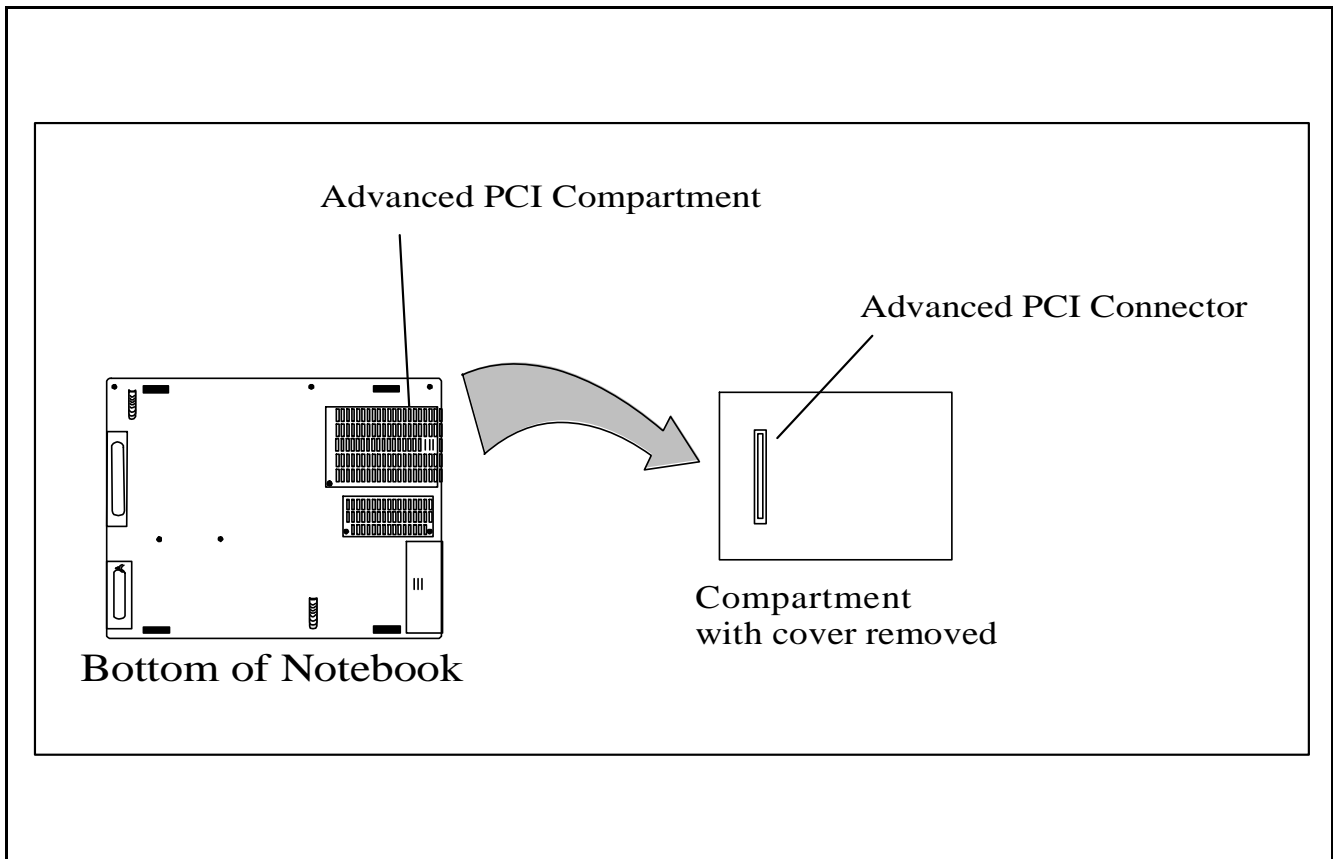
The procedure for removing and replacing the Hard Disk Drive assembly is as follows:

1. Power down the notebook, disconnect the AC adapter, if installed, and remove all battery packs.
2. Disconnect any peripheral device interface cables from the external interface

---

connectors and remove any installed PCMCIA options.

3. Turn the computer over and locate the APCI Access Cover as shown in Figure 6-8.



---

**Figure 6-8 Removing/Replacing the APCI Option**

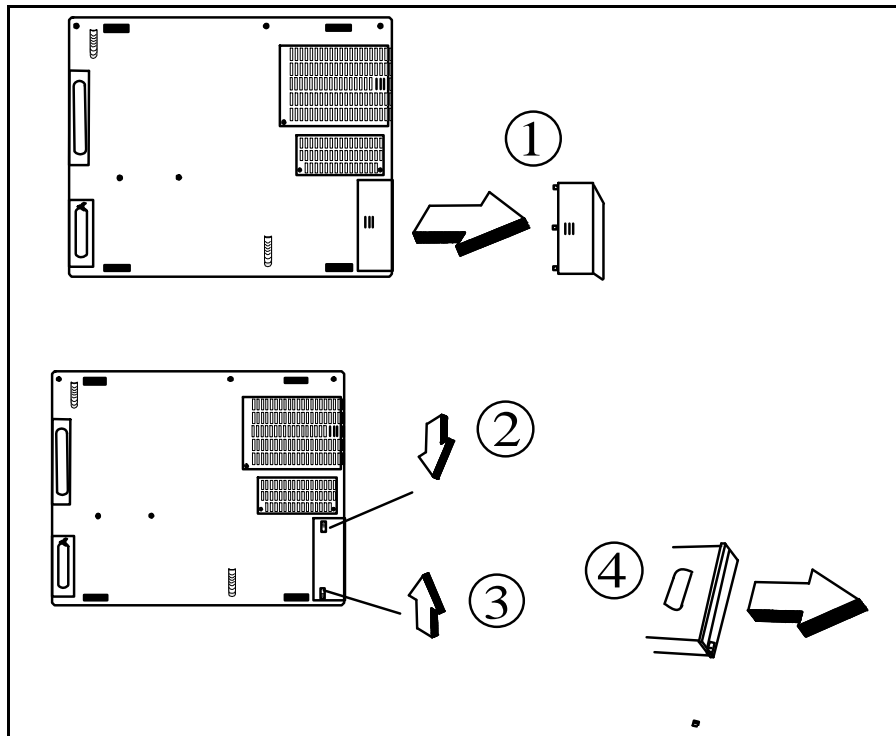
---

---

## 6.5.5 Removing/Replacing the Hard Disk Drive Assembly

The procedure for removing and replacing the Hard Disk Drive assembly is as follows:

1. Power down the notebook, disconnect the AC adapter, if installed, and remove any installed battery packs as described in Paragraphs 6.5.1 and 6.5.2.
2. Disconnect any peripheral device interface cables from the external interface connectors.
3. Turn the computer over and remove the hard disk drive bay cover (refer to Figure 6-9).
4. Slide the two release tabs inward (Figure 6-9), slide the drive out of the notebook.



**Figure 6-9 Removing/Replacing the Hard Disk Drive Module**

---

---

**Caution: Exercise care to only handle the drive by its sides to prevent damage to the drive.**

---

5. Store the HDD in an antistatic bag.
6. Replacement is the reverse of Steps 1 through 5.

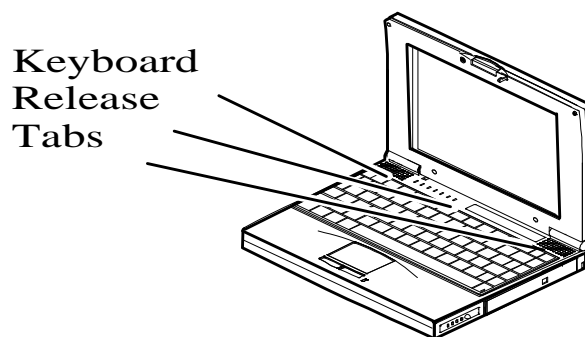
---

## 6.5.6 Removing/Replacing the Keyboard Assembly

The procedure for removing and replacing the keyboard assembly is as follows:

1. Turn off the computer; disconnect the AC power adapter (if attached), and remove the battery packs as described in Paragraphs 6.5.1 and 6.5.2.
2. Press the Cover Release Latch and open the notebook to a full 180 degree position.
3. Locate the keyboard tabs along the top edge of the notebook. Using a small plastic stick, press down and toward the front of the unit on the leftmost tab. Repeat for remaining two tabs to free the keyboard.
4. Lift the keyboard up and out of the notebook and rest the keyboard, face down, on the palm rest area.
5. Disconnect two ZIF-type keyboard cable connectors CN16 and CN18 from the main board.
6. Remove Keyboard Assembly from the base assembly.
7. Replacement is the reverse of steps 1 through 6. To secure the keyboard in place, carefully press on the keyboard in the area of the three tabs until the keyboard snaps in place.

- ① Release Keyboard by pressing three tabs along top edge of Keyboard
- ② Disconnect CN16 and CN18 (ZIF Connectors)



---

**Figure 6-10 Removing/Replacing the Keyboard Assembly**

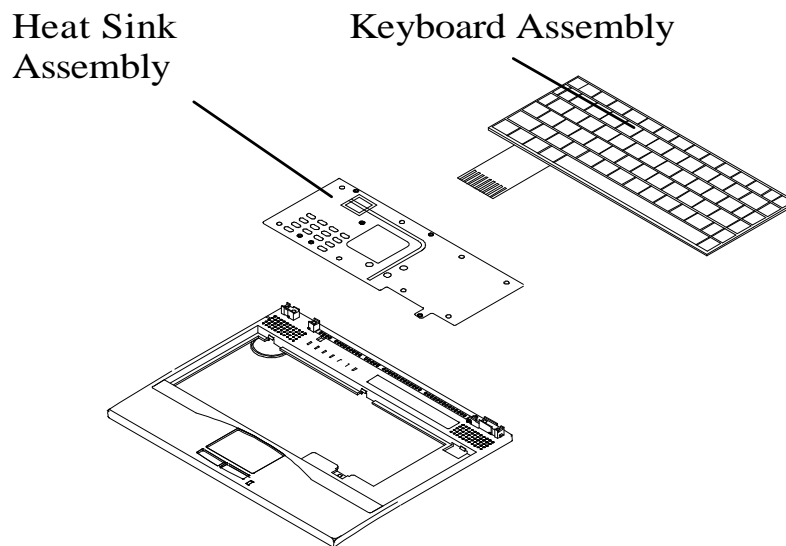
---

---

## 6.5.7 Removing/Replacing the Heat Sink Assembly

The procedure for removing and replacing the Heat Sink Assembly is as follows:

1. Turn off the computer; disconnect the AC power adapter (if attached), and remove the battery packs as described in Paragraphs 6.5.1 and 6.5.2.
2. Press the Cover Release Latch and open the notebook to a full 180 degree position.
3. Remove the Keyboard Assembly as described in Paragraph 6.5.6.
4. Remove the four screws securing the Heat Sink Assembly to the Main Board and carefully lift the Heat Sink Assembly from the base assembly.
5. Replacement is the reverse of Steps 1 through 4.



**Figure 6-11 Removing/Replacing the Heat Sink Assembly**

---

---

## 6.5.8 Removing/Replacing the CPU PWB Assembly

The procedure for removing and replacing the CPU PWB Assembly is as follows:

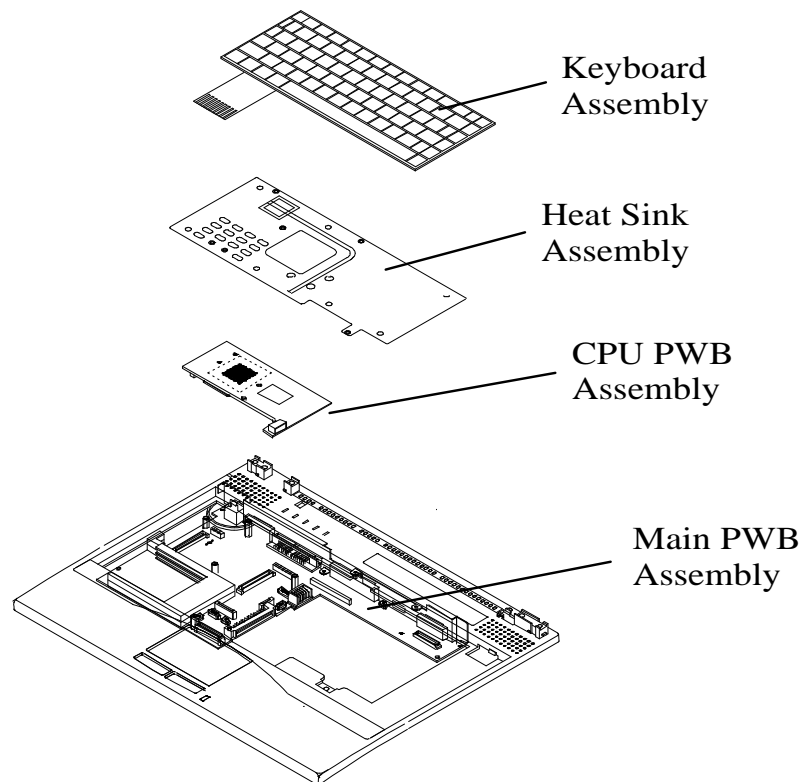
1. Turn off the computer; disconnect the AC power adapter (if attached), and remove the battery packs as described in Paragraphs 6.5.1 and 6.5.2.
2. Press the Cover Release Latch and open the notebook to a full 180 degree position.
3. Remove the Keyboard Assembly as described in Paragraph 6.5.6.
4. Remove the Heat Sink Assembly as described in Paragraph 6.5.7.

---

**Caution: Avoid touching the CPU as the CPU pins bend easily.**

---

5. Carefully remove the CPU PWB exercising caution not to damage the CPU pins.
6. Replace using the reverse of Steps 1 through 5. (**Note:** When installing a replacement CPU PWB assembly, add thermal grease to the bottom of the Heat Sink Assembly where it comes in contact with the CPU).



---

**Figure 6-12 Removing/Replacing the CPU PWB Assembly**

---

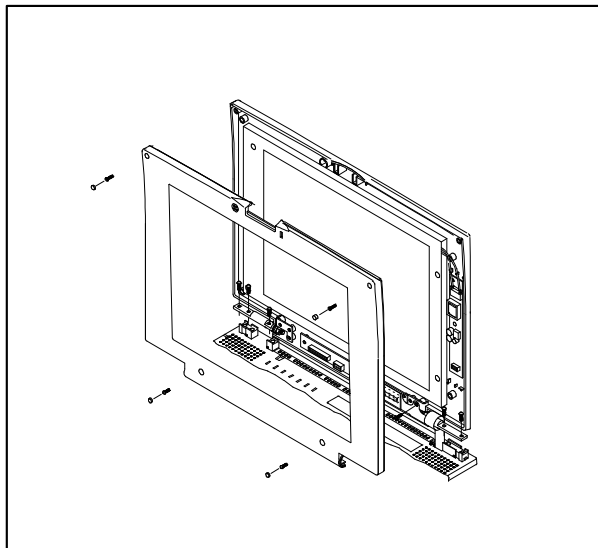


---

## 6.5.9 Removing/Replacing the Display Assembly

The procedure for removing and replacing the Display Assembly is as follows:

1. Turn off the computer; disconnect the AC power adapter (if attached), and remove the battery packs as described in Paragraphs 6.5.1 and 6.5.2.
2. Press the Cover Release Latch and open the notebook to a full 180 degree position.
3. Remove four screws from the face of the LCD cover and pull the covers apart starting at the top of the Display (refer to Figure 6-13).
4. Remove the single screw holding the FPC Cable and gently remove the cable connector (CN1) from the LCD Transfer Board.
5. Remove five screws (3 on left hinge and 2 on the right hinge) and remove the Cover-Display Assembly from the Base Assembly.
6. Replacement is the reverse of Steps 1 through 5.



**Figure 6-13 Removing/Replacing the Display Assembly**

---

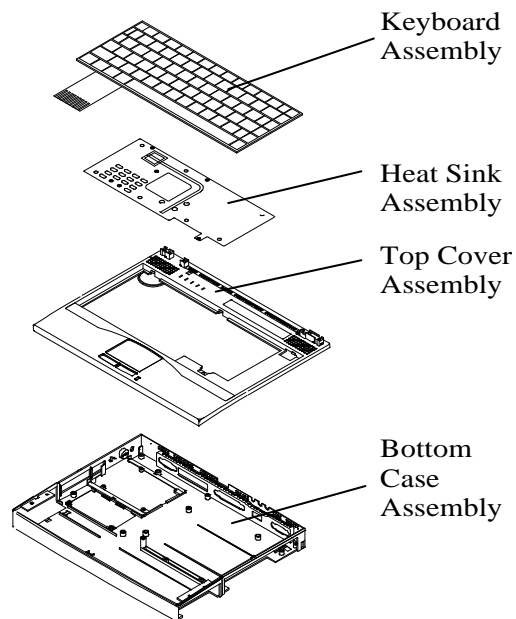
---

---

## 6.5.10 Removing/Replacing the Top Cover Assembly

The procedure for removing and replacing the Top Cover Assembly is as follows:

1. Turn off the computer; disconnect the AC power adapter (if attached), and remove the battery packs as described in Paragraphs 6.5.1 and 6.5.2.
2. Press the Cover Release Latch and open the notebook to a full 180 degree position.
3. Remove the Keyboard Assembly as described in Paragraph 6.5.6.
4. Remove the Heat Sink Assembly as described in Paragraph 6.5.7.
5. Remove the Cover-Display Assembly as described in Paragraph 6.5.9.
6. Turn the unit over and remove five recessed screws from the bottom of the base assembly. Also remove two screws from the primary battery compartment and two screws from the Hard Disk Drive compartment.
7. Turn the assembly to normal position and unsnap the base cover from the top cover by pulling gently up along both sides and along the front until the top cover unsnaps from the base cover assembly.
8. Unplug the cable connectors from the top cover PWB assemblies (LED Board, Glidepad, and speakers) and remove the top cover assembly.
9. Reassembly is the reverse of Steps 1 through 8. **Note:** Ensure that the Close Cover Switch cap is installed before reassembling the Top Cover Assembly.



---

**Figure 6-14 Removing/Replacing the Top Cover Assembly**

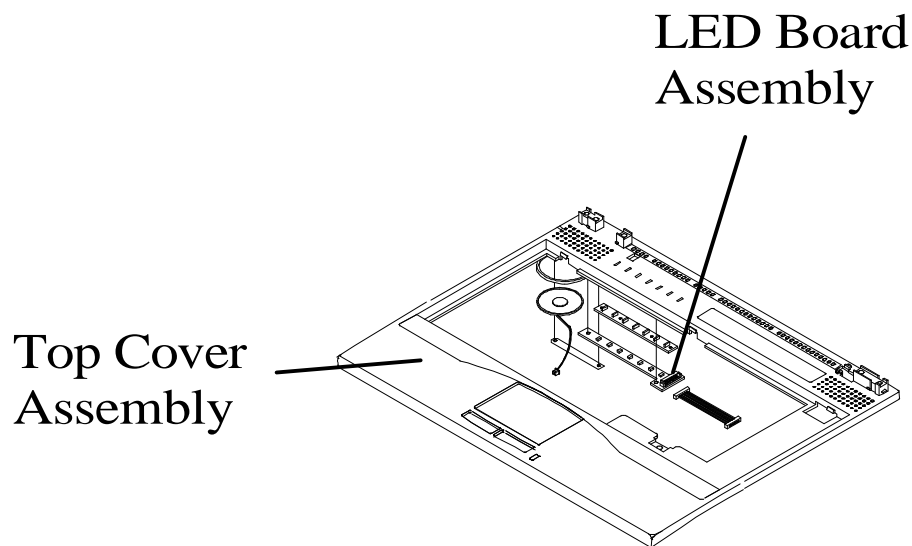
---

---

## 6.5.11 Removing/Replacing the LED PWB Assembly

The procedure for removing and replacing the LED PWB Assembly is as follows:

1. Turn off the computer; disconnect the AC power adapter (if attached), and remove the battery packs as described in Paragraphs 6.5.1 and 6.5.2.
2. Press the Cover Release Latch and open the notebook to a full 180 degree position.
3. Remove the Keyboard Assembly as described in Paragraph 6.5.6.
4. Remove the Heat Sink Assembly as described in Paragraph 6.5.7.
5. Remove the Cover-Display Assembly as described in Paragraph 6.5.9.
6. Remove the Top Cover Assembly as described in Paragraph 6.5.10.
7. Remove two screws and remove the LED PWB from the Top Cover Assembly.
8. Reassembly is the reverse of Steps 1 through 7.



**Figure 6-15 Removing/Replacing the LED PWB Assembly**

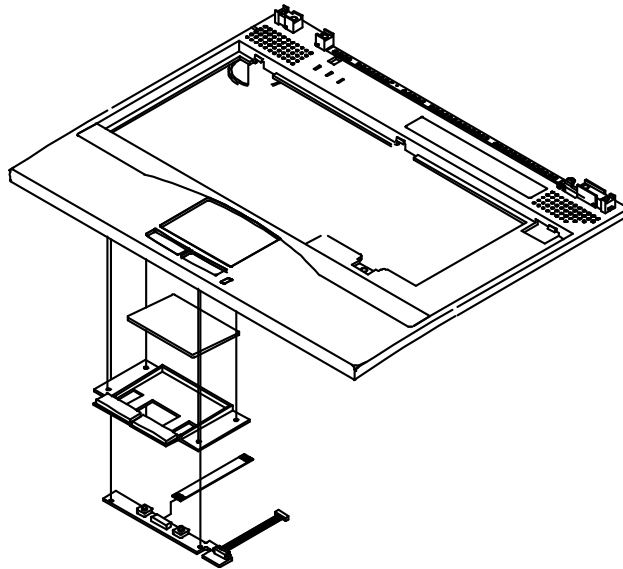
---

---

## 6.5.12 Removing/Replacing the Glidepad Assembly

The procedure for removing and replacing the Glidepad Assembly is as follows:

1. Turn off the computer; disconnect the AC power adapter (if attached), and remove the battery packs as described in Paragraphs 6.5.1 and 6.5.2.
2. Press the Cover Release Latch and open the notebook to a full 180 degree position.
3. Remove the Keyboard Assembly as described in Paragraph 6.5.6.
4. Remove the Heat Sink Assembly as described in Paragraph 6.5.7.
5. Remove the Cover-Display Assembly as described in Paragraph 6.5.9.
6. Remove the Top Cover Assembly as described in Paragraph 6.5.10.
7. Turn the top cover over and locate the Glidepad PWB; disconnect cable connectors CN21 and CN22 from the Main PWB assembly.
8. Remove the six screws securing the Glidepad module and PWB to the cover and remove these assemblies.
9. Reassembly is the reverse of Steps 1 through 8.



**Figure 6-16 Removing/Replacing the Glidepad Assembly**

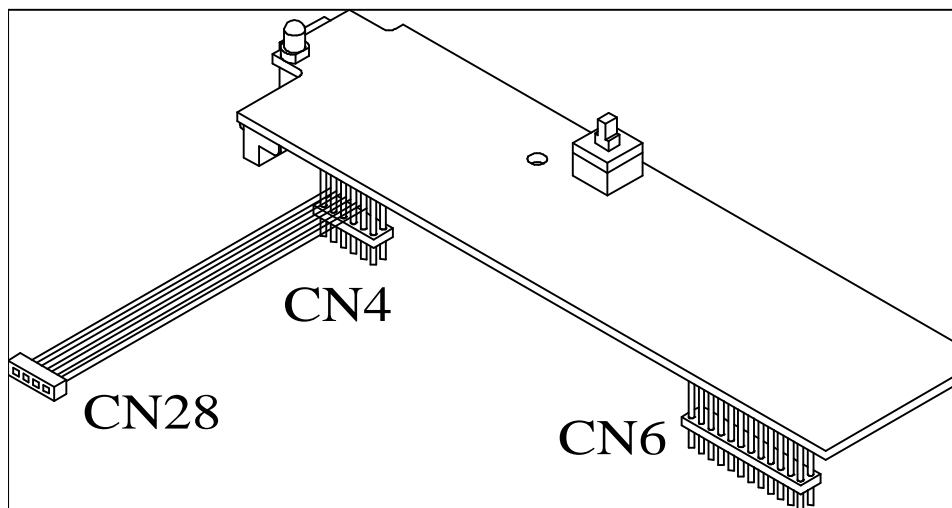
---

---

## 6.5.13 Removing/Replacing the Power Supply PWB Assembly

The procedure for removing and replacing the Power Supply PWB Assembly is as follows:

1. Turn off the computer; disconnect the AC power adapter (if attached), and remove the battery packs as described in Paragraphs 6.5.1 and 6.5.2.
2. Press the Cover Release Latch and open the notebook to a full 180 degree position.
3. Remove the Keyboard Assembly as described in Paragraph 6.5.6.
4. Remove the Heat Sink Assembly as described in Paragraph 6.5.7.
5. Remove the Cover-Display Assembly as described in Paragraph 6.5.9.
6. Remove the Top Cover Assembly as described in Paragraph 6.5.10.
7. Remove the screw securing the power Supply PWB to the Main PWB and remove the Power Supply PWB.
8. Reassembly is the reverse of Steps 1 through 7.



---

**Figure 6-17 Removing/Replacing the Power Supply PWB Assembly**

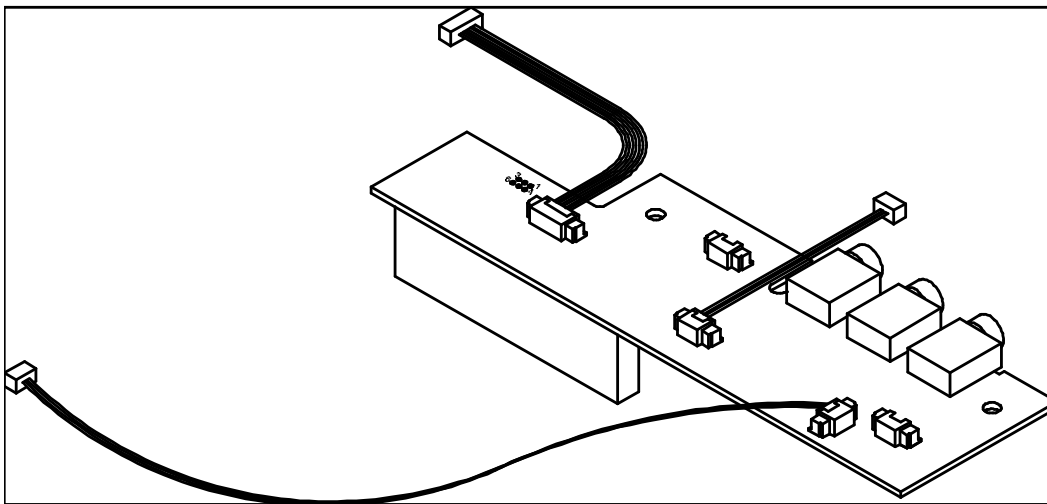
---

---

## 6.5.14 Removing/Replacing the Audio PWB Assembly

The procedure for removing and replacing the Power Supply PWB Assembly is as follows:

1. Turn off the computer; disconnect the AC power adapter (if attached), and remove the battery packs as described in Paragraphs 6.5.1 and 6.5.2.
2. Press the Cover Release Latch and open the notebook to a full 180 degree position.
3. Remove the Keyboard Assembly as described in Paragraph 6.5.6.
4. Remove the Heat Sink Assembly as described in Paragraph 6.5.7.
5. Remove the Cover-Display Assembly as described in Paragraph 6.5.9.
6. Remove the Top Cover Assembly as described in Paragraph 6.5.10.
7. Remove two screws securing the Audio PWB to the Main PWB and disconnect three connectors (CN15, CN27 and CN28). Remove the PWB from the unit.
8. Reassembly is the reverse of Steps 1 through 7.



**Figure 6-18 Removing/Replacing the Audio PWB Assembly**

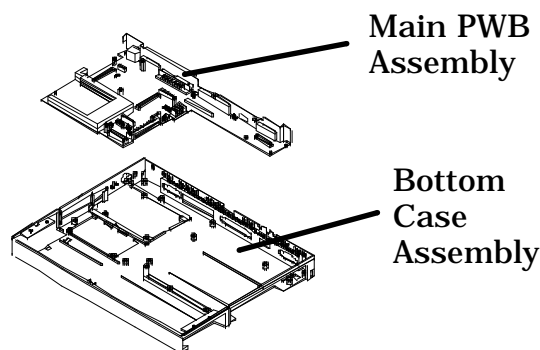
---

---

## 6.5.15 Removing/Replacing the Main PWB Assembly

The procedure for removing and replacing the Power Supply PWB Assembly is as follows:

1. Turn off the computer; disconnect the AC power adapter (if attached), and remove the battery packs as described in Paragraphs 6.5.1 and 6.5.2.
2. Press the Cover Release Latch and open the notebook to a full 180 degree position.
3. Remove the Keyboard Assembly as described in Paragraph 6.5.6.
4. Remove the Heat Sink Assembly as described in Paragraph 6.5.7.
5. Remove the Cover-Display Assembly as described in Paragraph 6.5.9.
6. Remove the Top Cover Assembly as described in Paragraph 6.5.10.
7. Remove all PWB assemblies from the Main PWB Assembly and install on the replacement Main PWB Assembly.
8. Remove the three large posts (one visible, one under the Power Supply PWB and one under the Battery and HDD Transfer PWB). Note and record the location and size of hex screws (posts) for use during reassembly.
9. Remove the four screws and carefully remove the Main PWB Assembly.
10. Reassembly is the reverse of Steps 1 through 9.



---

**Figure 6-19 Removing/Replacing the Main PWB Assembly**

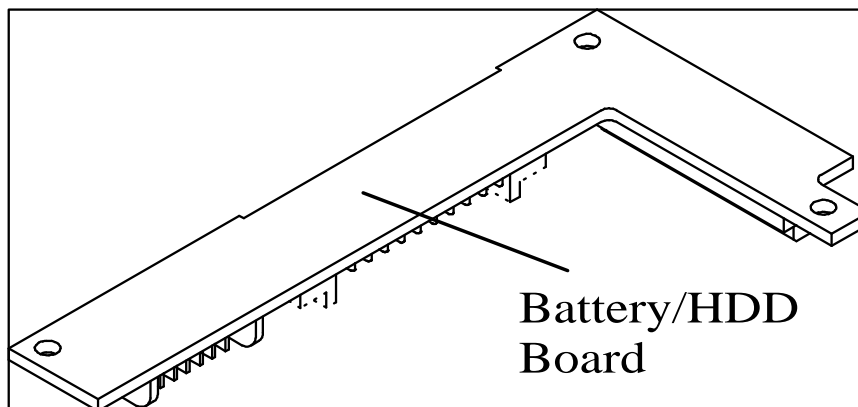
---

---

## 6.5.16 Removing/Replacing the Battery/HDD Transfer PWB Assembly

The procedure for removing and replacing the Battery/HDD Transfer PWB Assembly is as follows:

1. Turn off the computer; disconnect the AC power adapter (if attached), and remove the battery packs as described in Paragraphs 6.5.1 and 6.5.2.
2. Press the Cover Release Latch and open the notebook to a full 180 degree position.
3. Remove the Keyboard Assembly as described in Paragraph 6.5.6.
4. Remove the Heat Sink Assembly as described in Paragraph 6.5.7.
5. Remove the Cover-Display Assembly as described in Paragraph 6.5.9.
6. Remove the Top Cover Assembly as described in Paragraph 6.5.10.
7. Remove the three holding screws and remove the Battery/HDD Transfer PWB Assembly.
8. Replacement is the reverse of Steps 1 through 7.



**Figure 6-20 Removing/Replacing the Battery/HDD Transfer PWB Assembly**

---

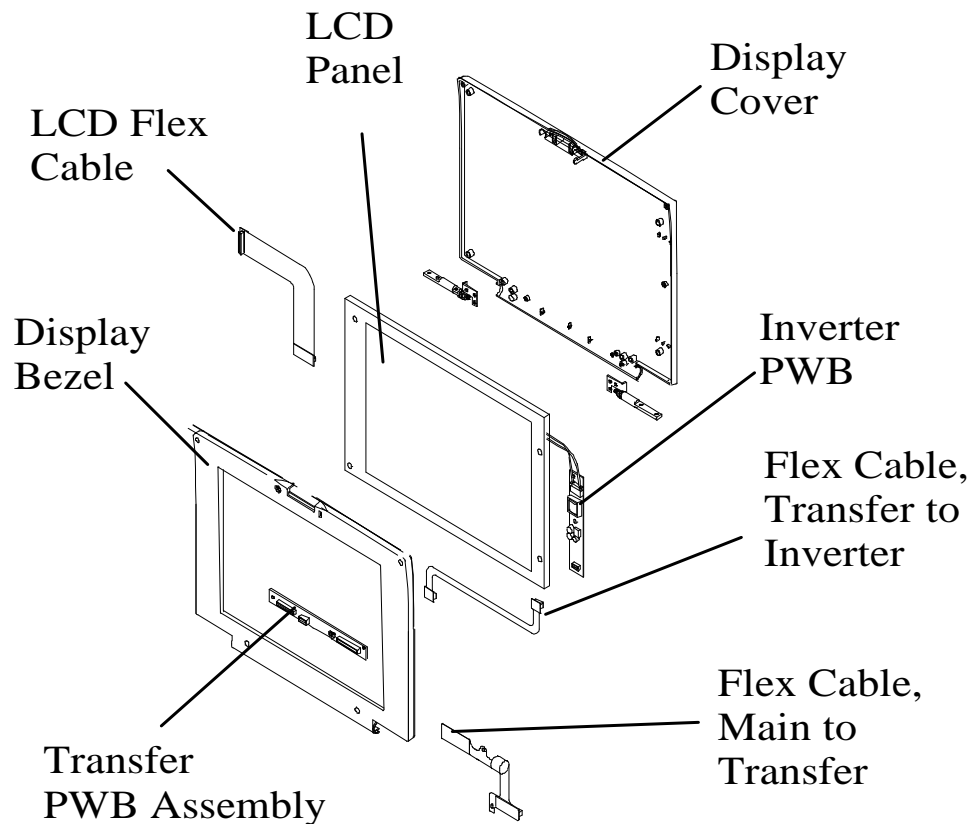


---

## 6.5.17 Removing/Replacing the Display FRUs

The procedure for removing and replacing the Display FRUs is as follows:

1. Turn off the computer; disconnect the AC power adapter (if attached), and remove the battery packs as described in Paragraphs 6.5.1 and 6.5.2.
2. Press the Cover Release Latch and open the notebook to a full 180 degree position.
3. Remove the Cover-Display Assembly as described in Paragraph 6.5.9.
4. Refer to Figure 6-21 and remove the desired display FRU.
5. Replacement is the reverse of Steps 1 through 4.



---

**Figure 6-21 Removing/Replacing Internal Display FRUs**

---



# Schematic Diagrams **A**

---

## **A.1 Introduction**

This section contains schematic diagrams for the Extensa 660 Notebook Computer.

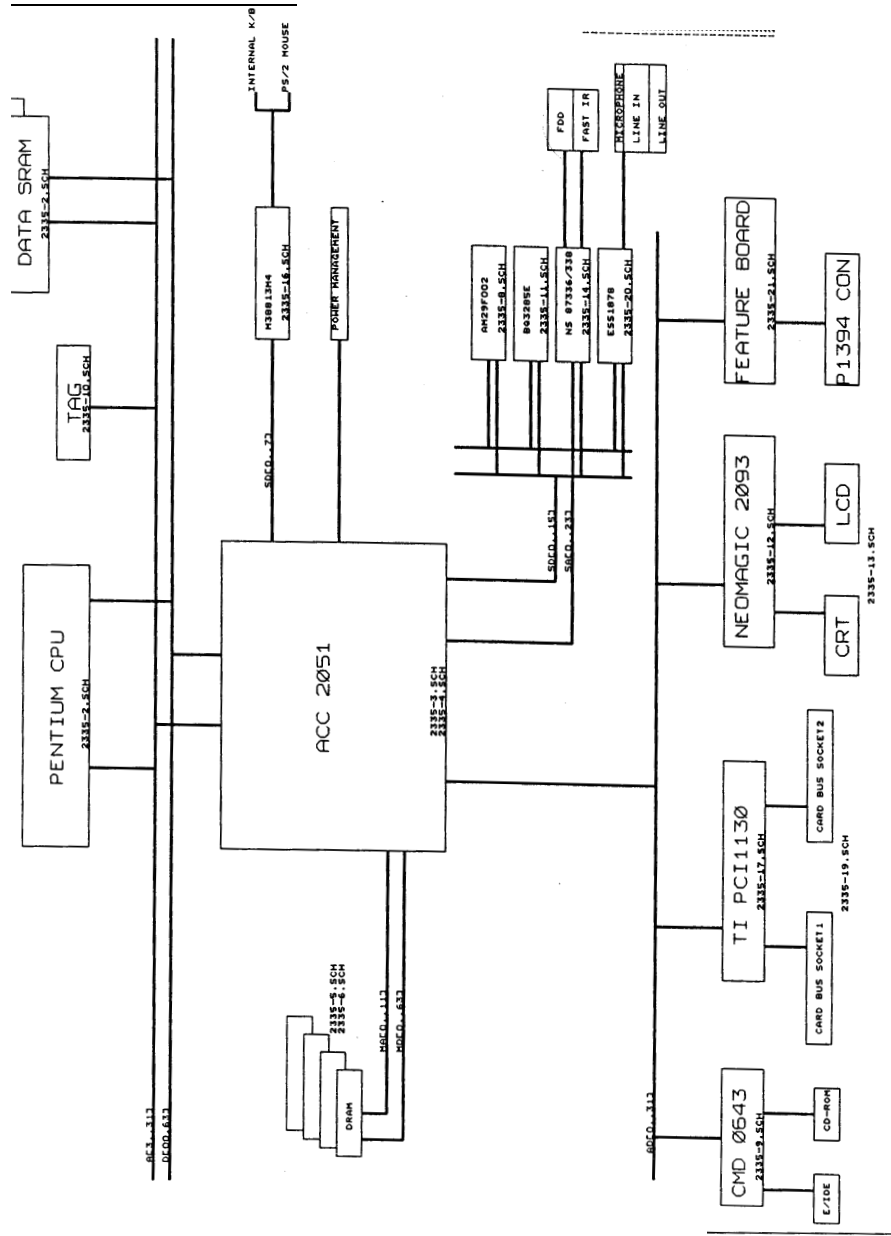
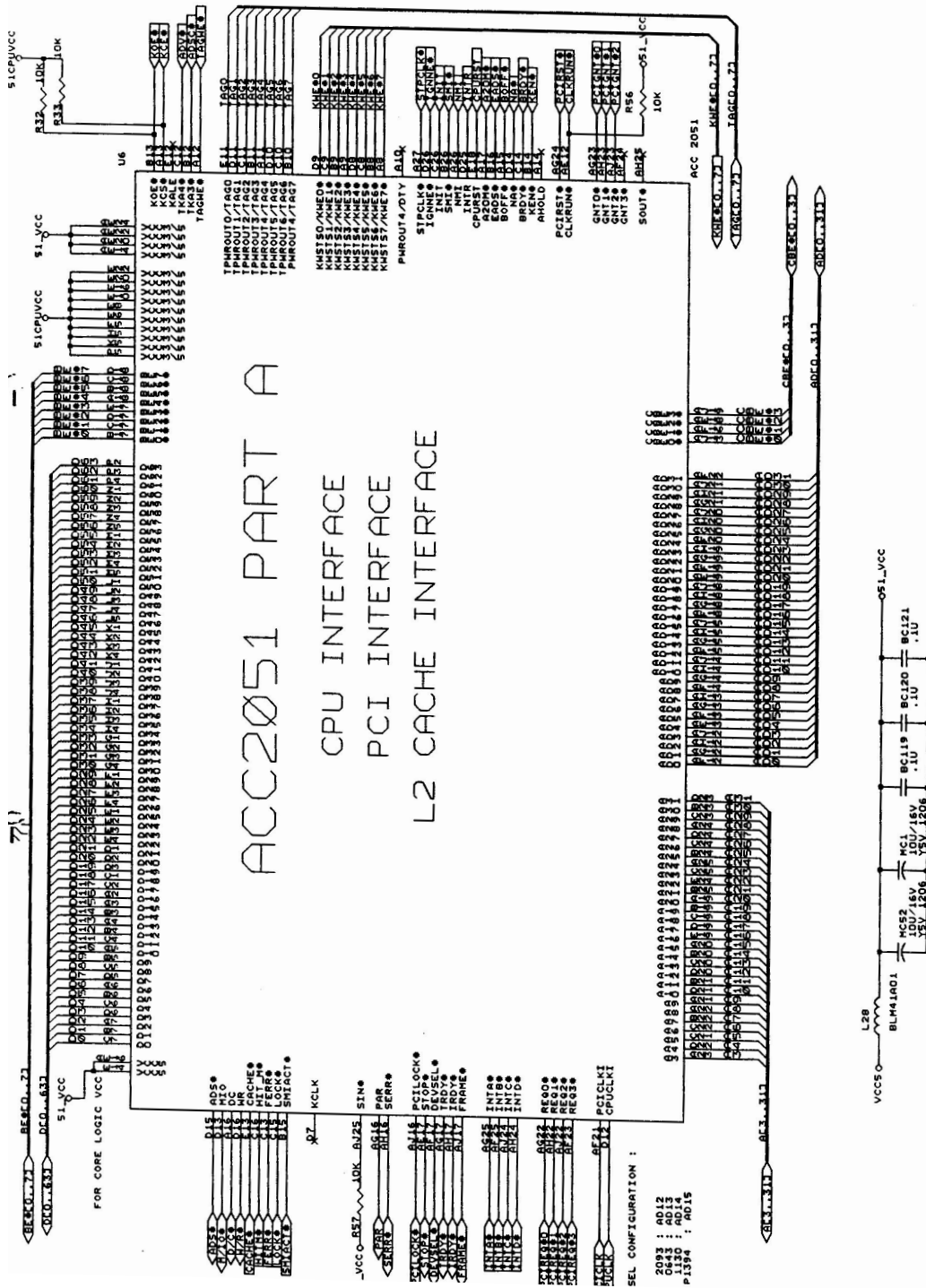


Figure A-1 Motherboard PWB Logic Diagrams (Sheet 1 of 23)





FIRST INTERNATIONAL COMPUTER, INC.	
CHERRY BY DASHON AT PRESENT	
1993	
Title: ACC CHIP CIRCUIT-A	
Size	Document Number: SM3
B	REV: 0.6
Date: October 1, 1992 Sheet 3 of 3	

Figure A-1 Motherboard PWB Logic Diagrams (Sheet 3 of 23)

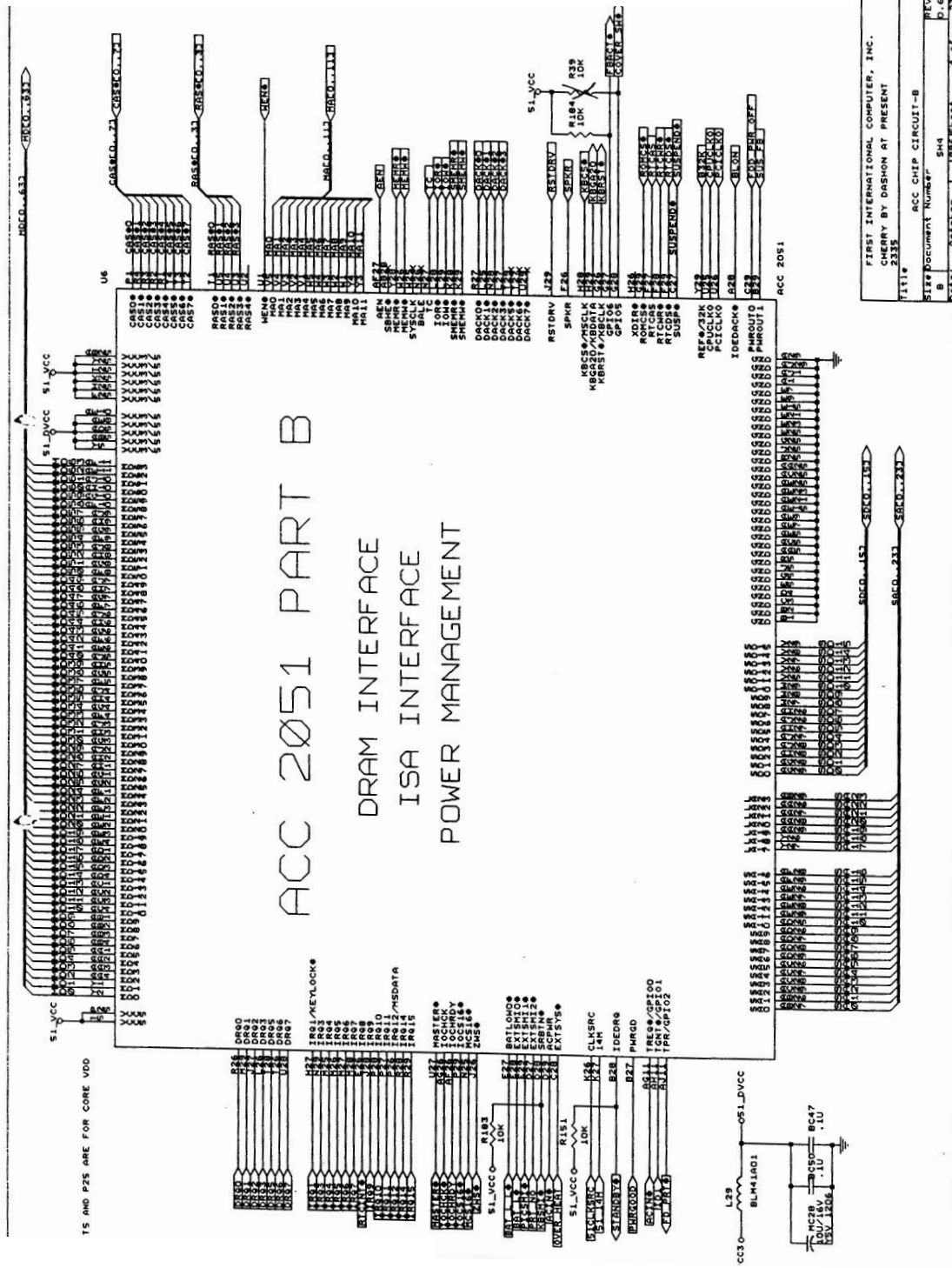


Figure A-1 Motherboard PWB Logic Diagrams (Sheet 4 of 23)









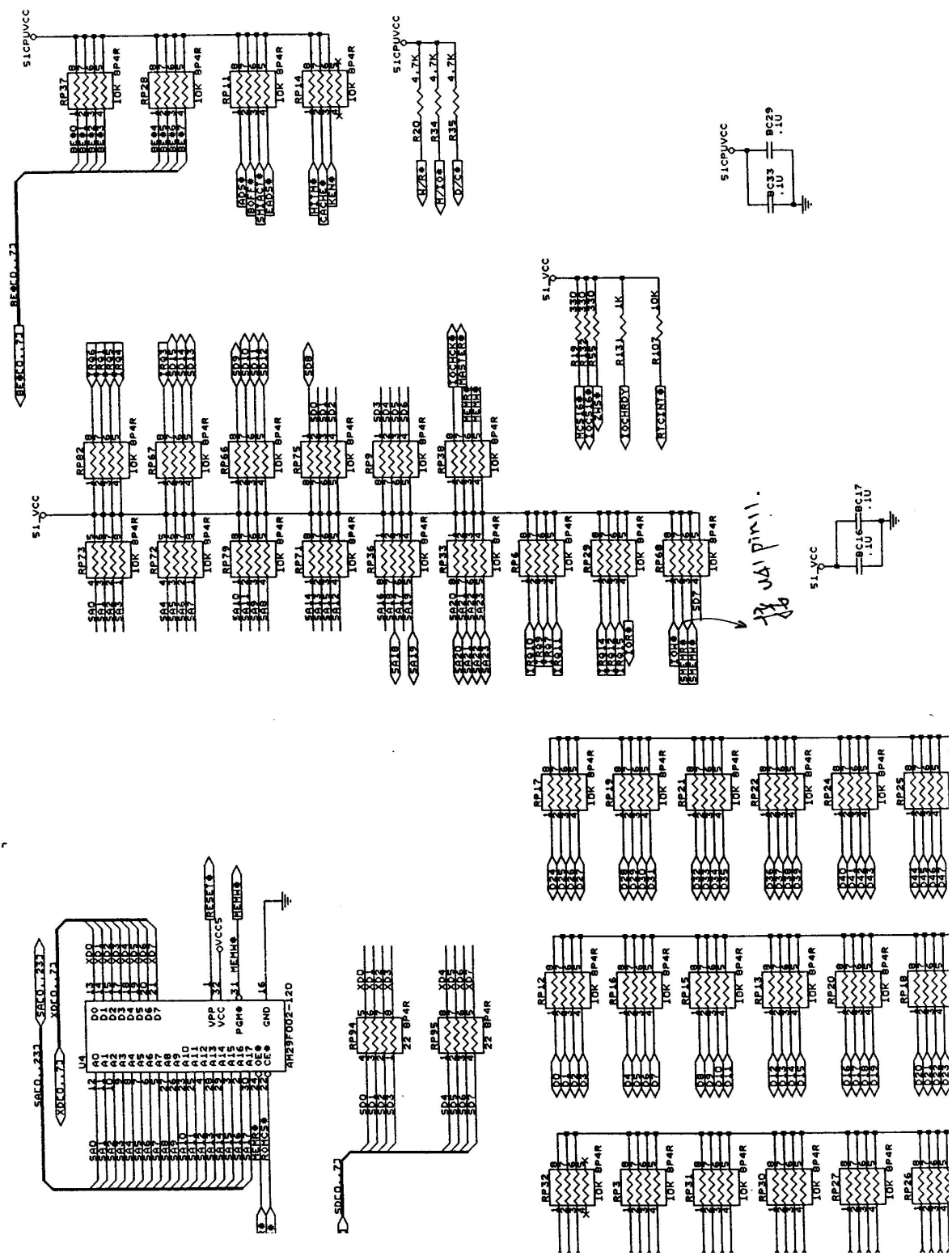


Figure A-1 Motherboard PWB Logic Diagrams (Sheet 8 of 23)



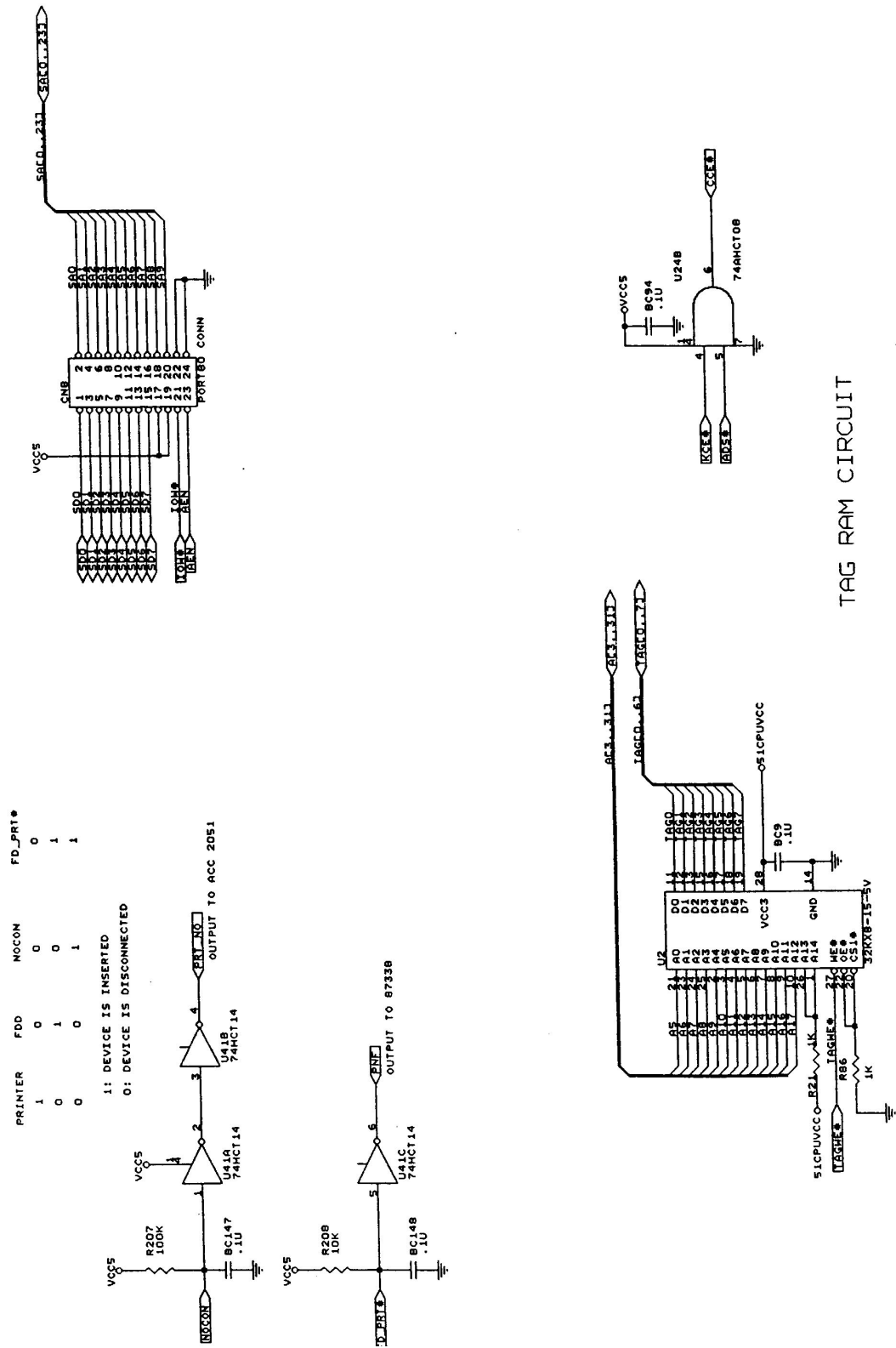


Figure A-1 Motherboard PWB Logic Diagrams (Sheet 10 of 23)

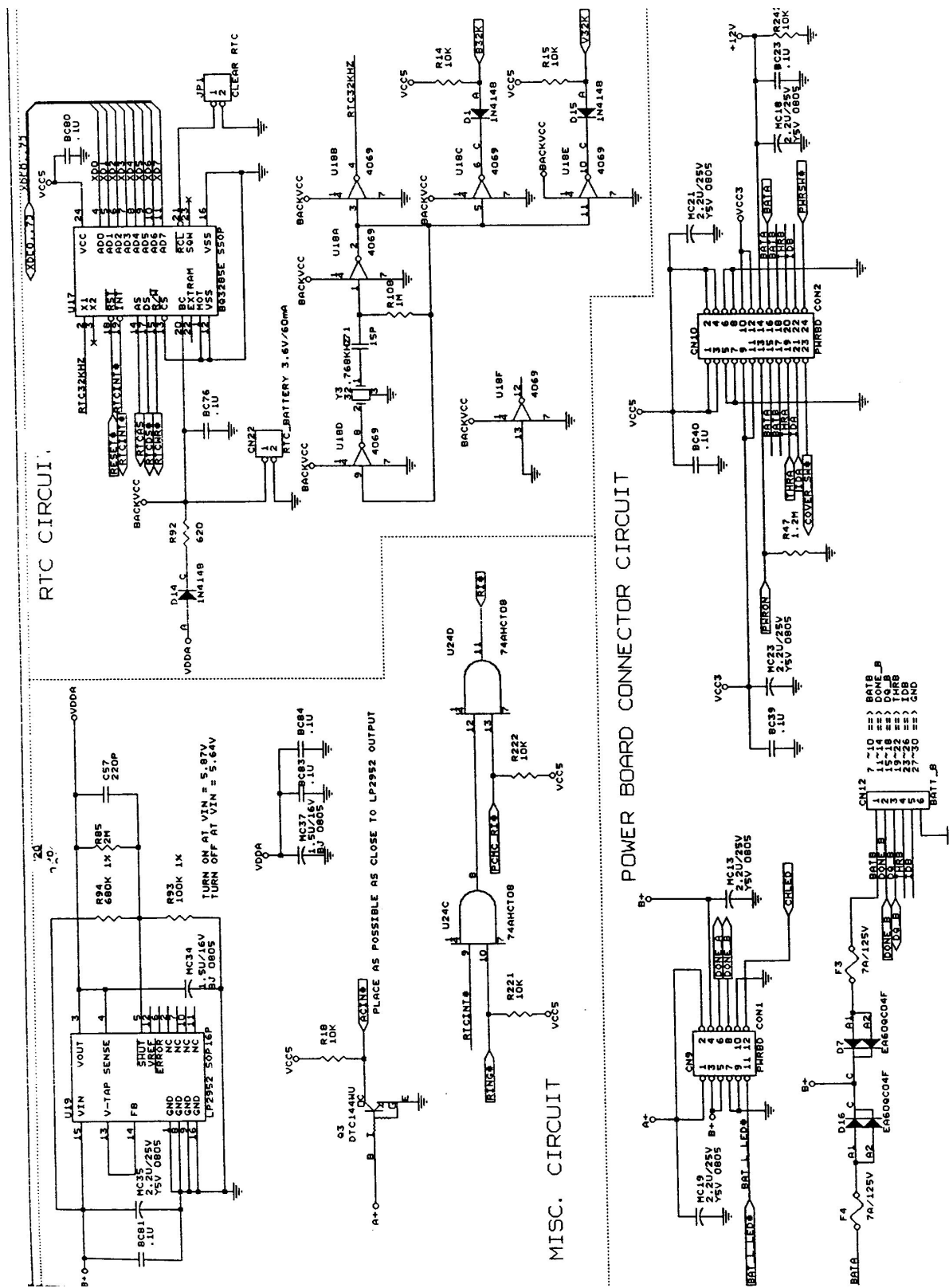


Figure A-1 Motherboard PWB Logic Diagrams (Sheet 11 of 23)

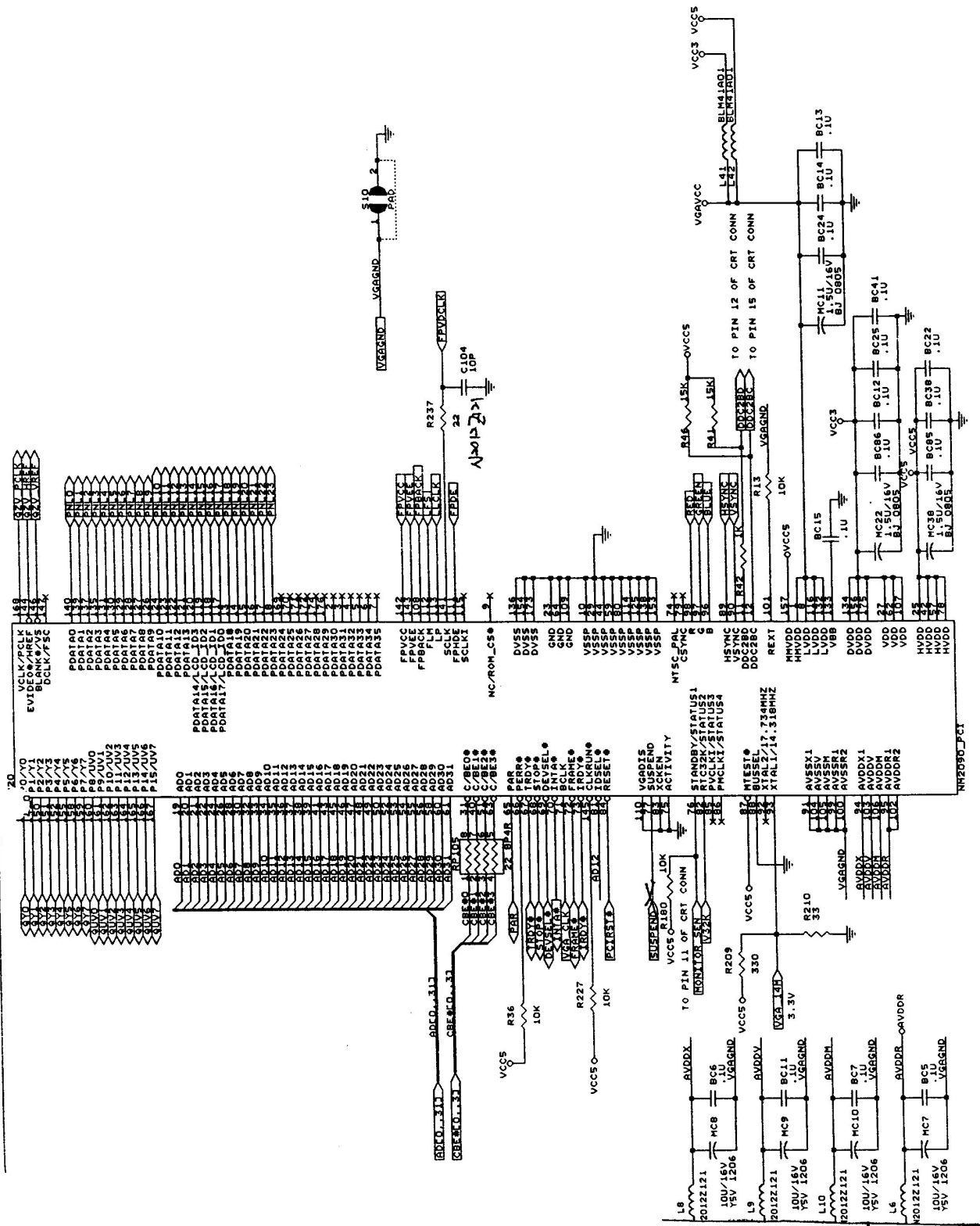


Figure A-1 Motherboard PWB Logic Diagrams (Sheet 12 of 23)

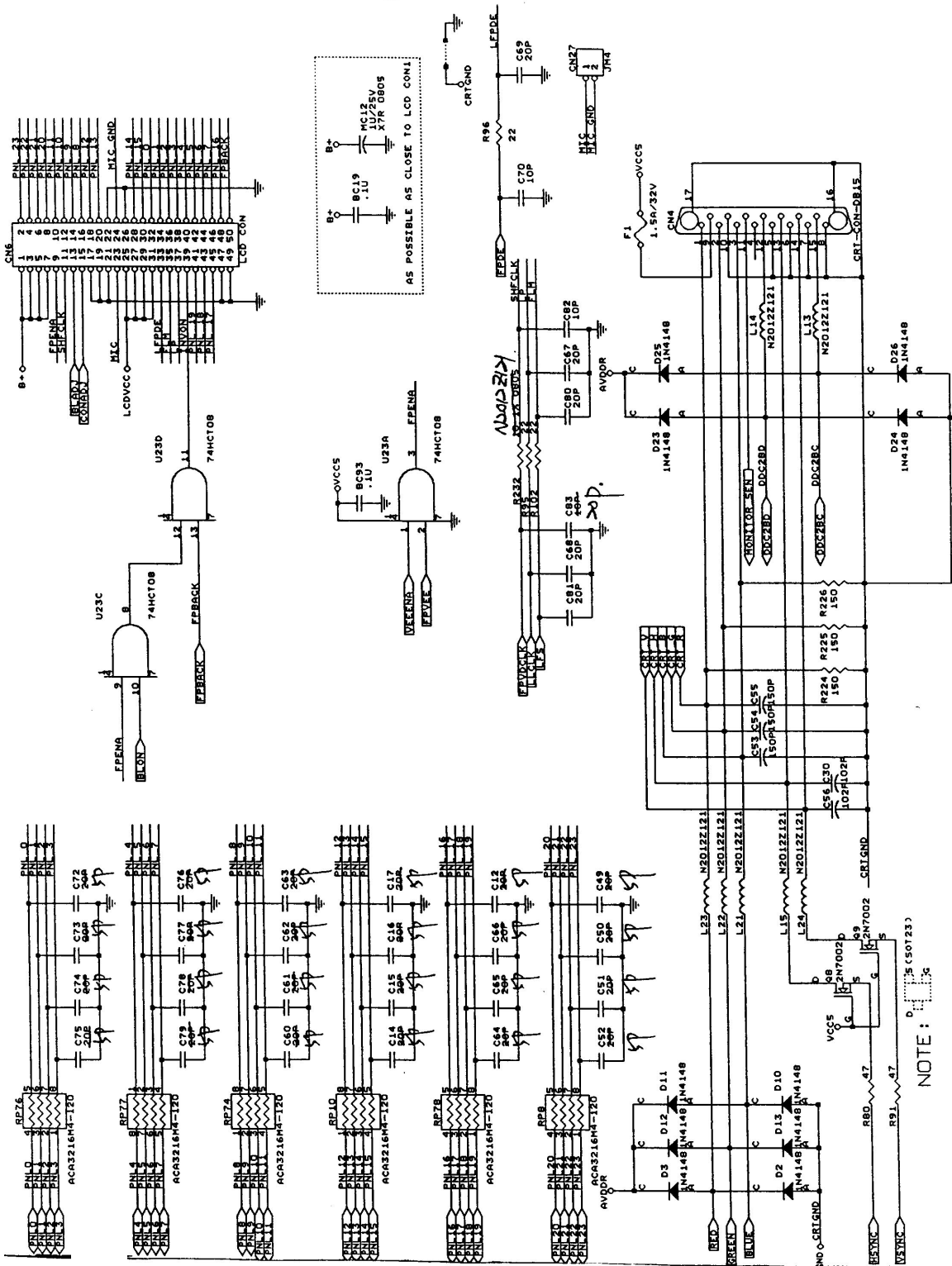


Figure A-1 Motherboard PWB Logic Diagrams (Sheet 13 of 23)





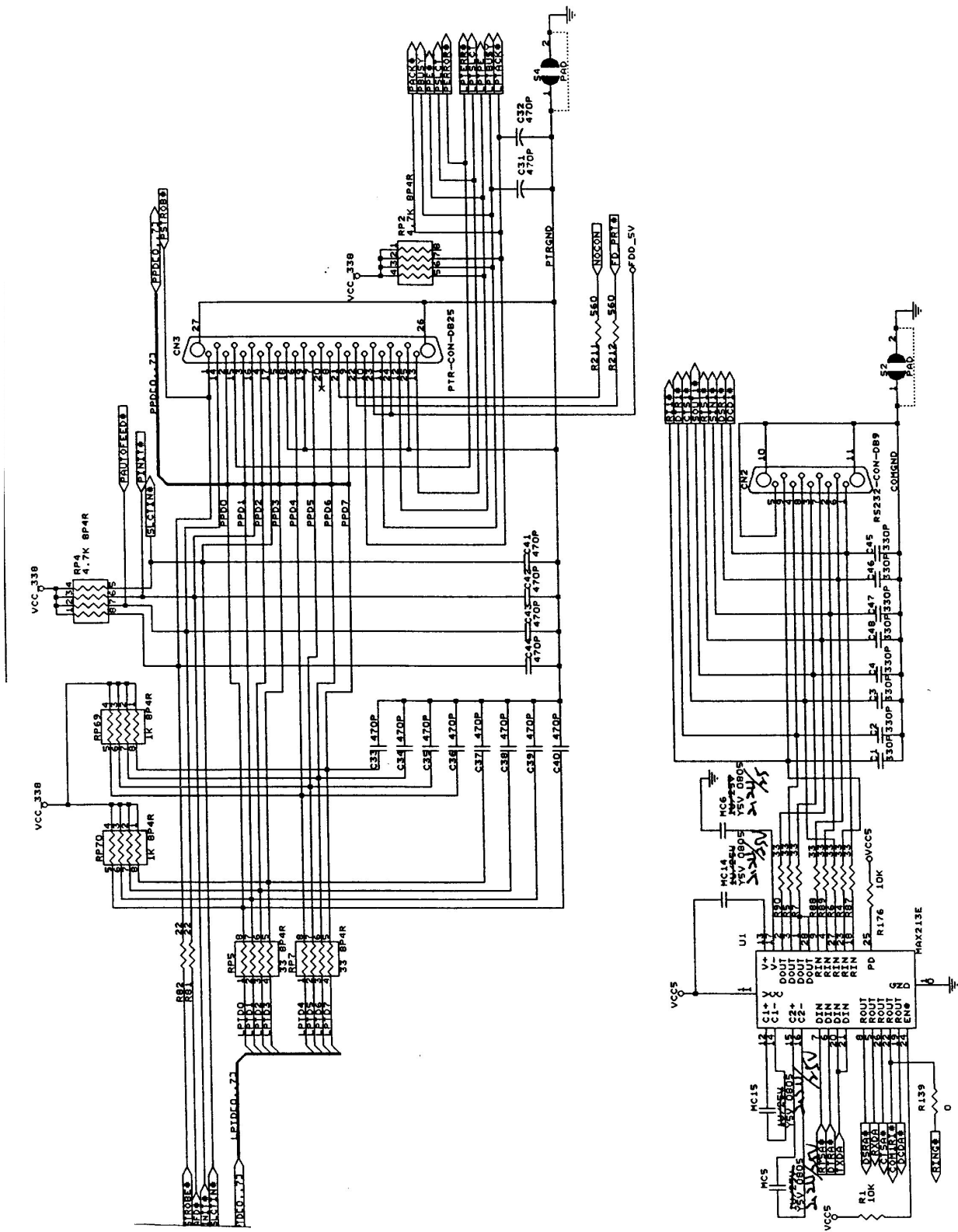


Figure A-1 Motherboard PWB Logic Diagrams (Sheet 15 of 23)





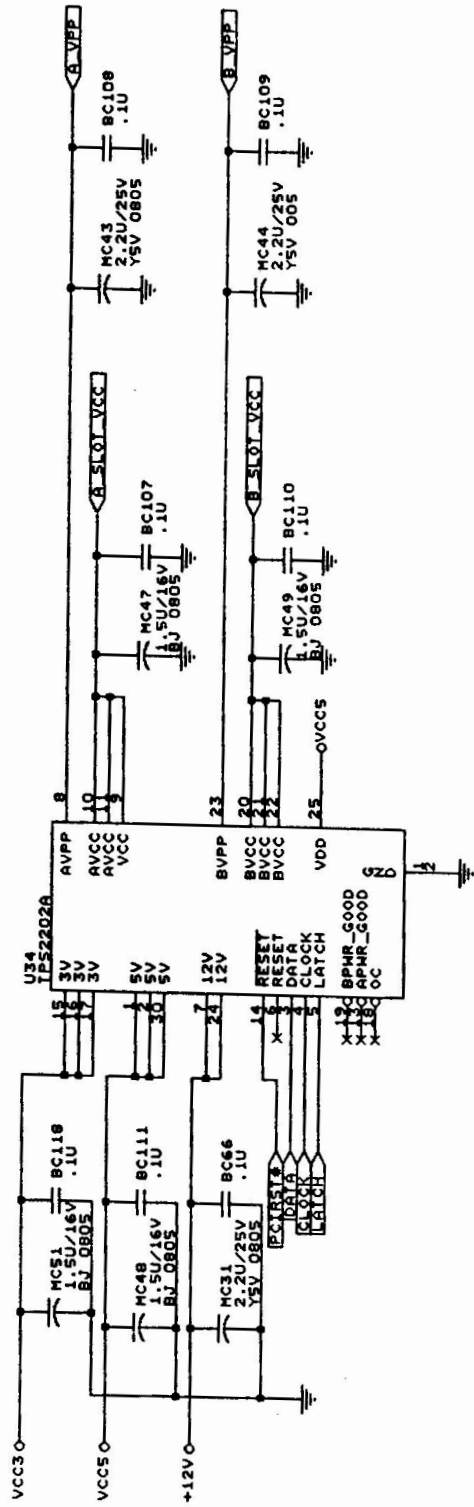


Figure A-1 Motherboard PWB Logic Diagrams (Sheet 18 of 23)

PCMCIA SLOT FOR CARD BUS

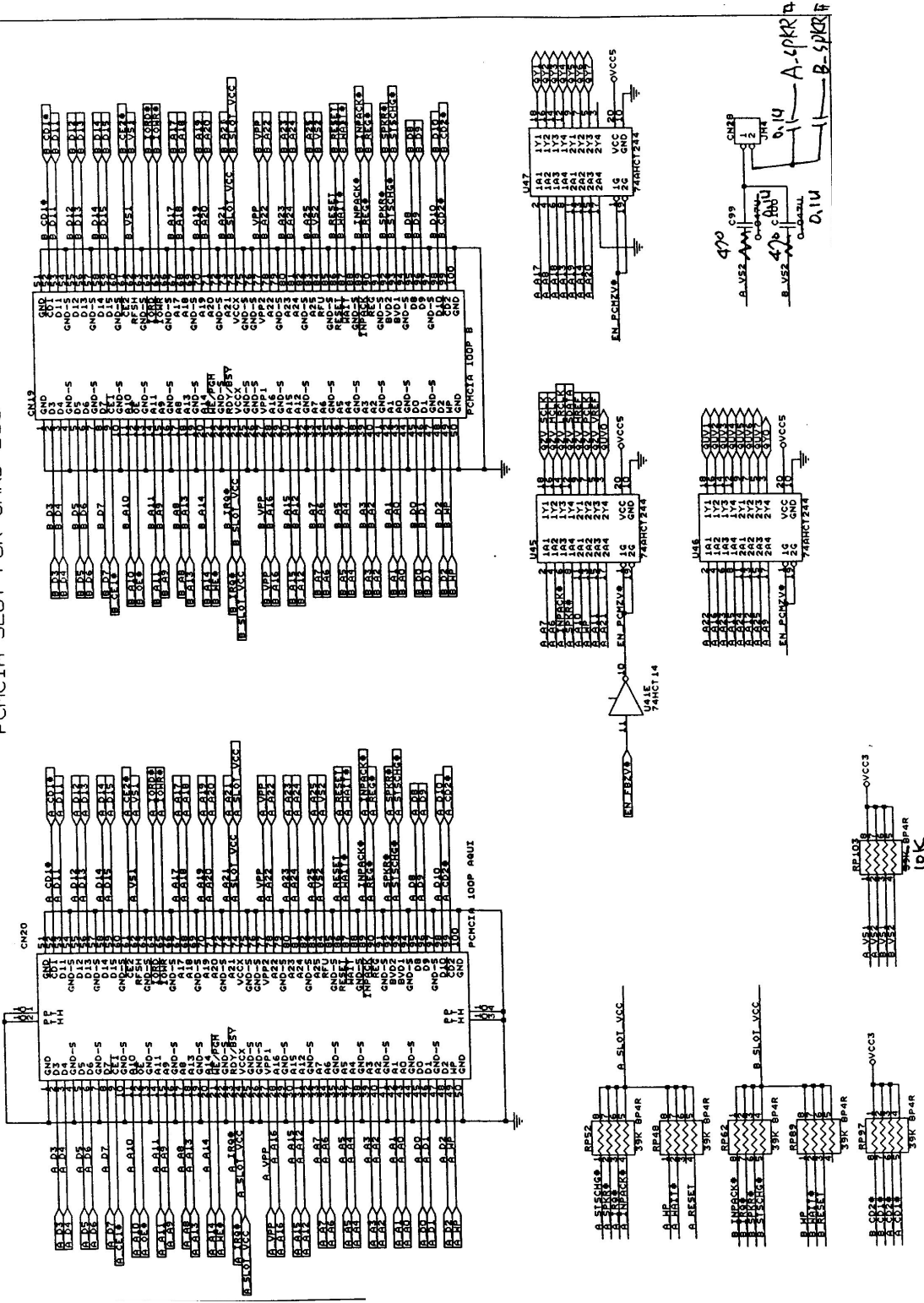


Figure A-1 Motherboard PWB Logic Diagrams (Sheet 19 of 23)

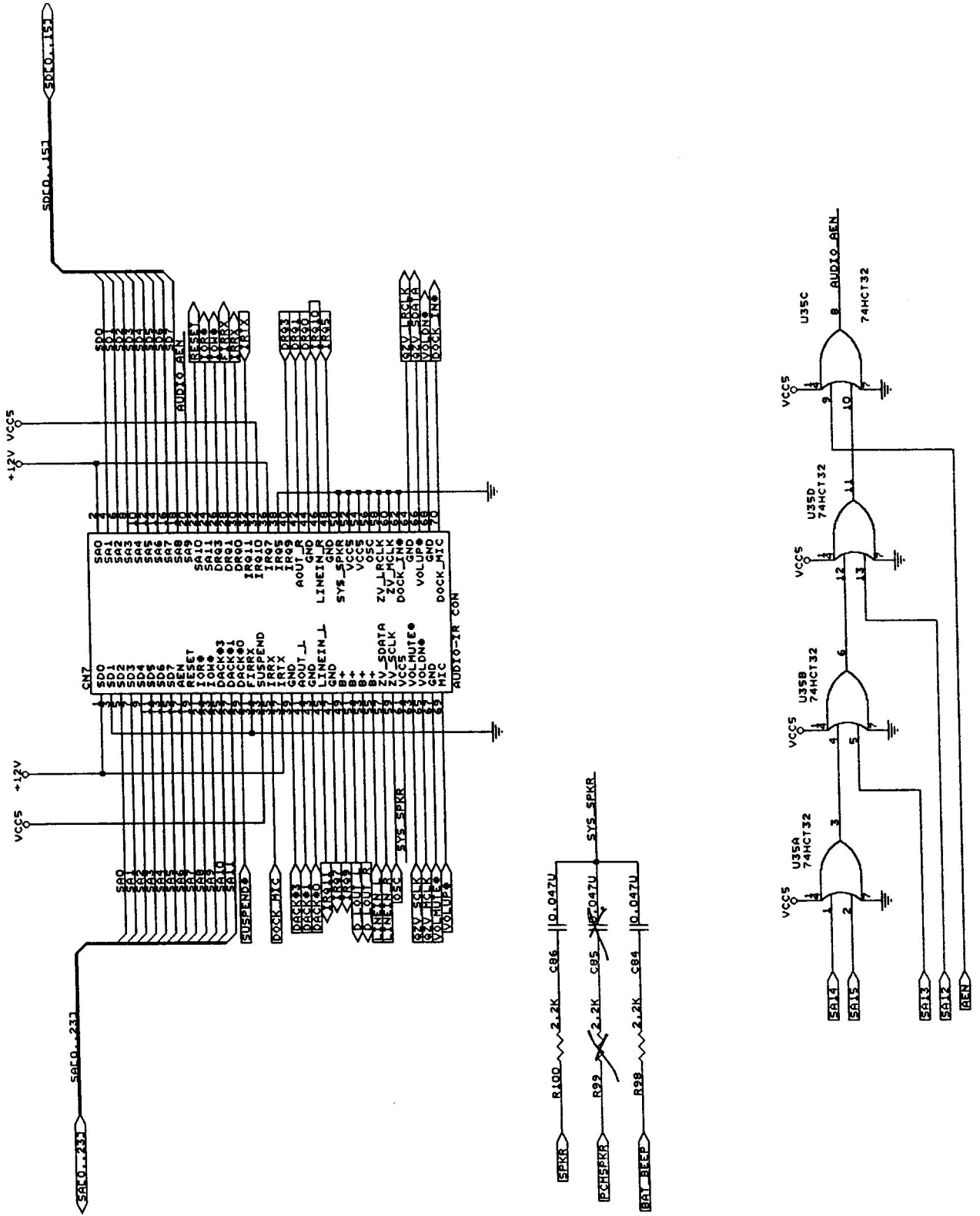
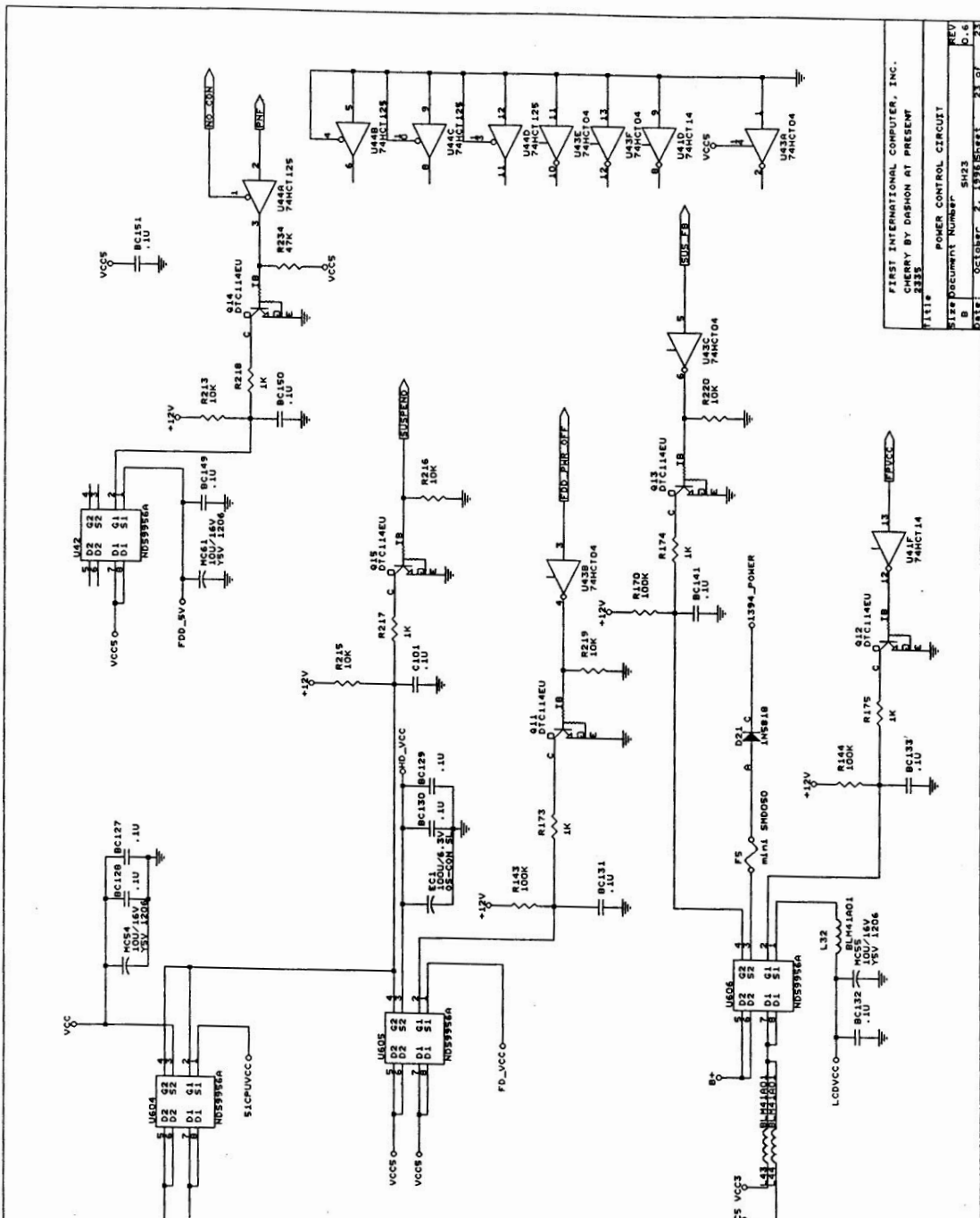


Figure A-1 Motherboard PWB Logic Diagrams (Sheet 20 of 23)









FIRST INTERNATIONAL COMPUTER, INC.  
 CHERRY BY DASHON AT PRESENT  
 TITLE: 2335 POWER CONTROL CIRCUIT  
 SIZE: DOCUMENT NUMBER SH23  
 DATE: OCTOBER 7, 1986 SHEET 23 OF 23  
 REV: 0.6

Figure A-1 Motherboard PWB Logic Diagrams (Sheet 23 of 23)

